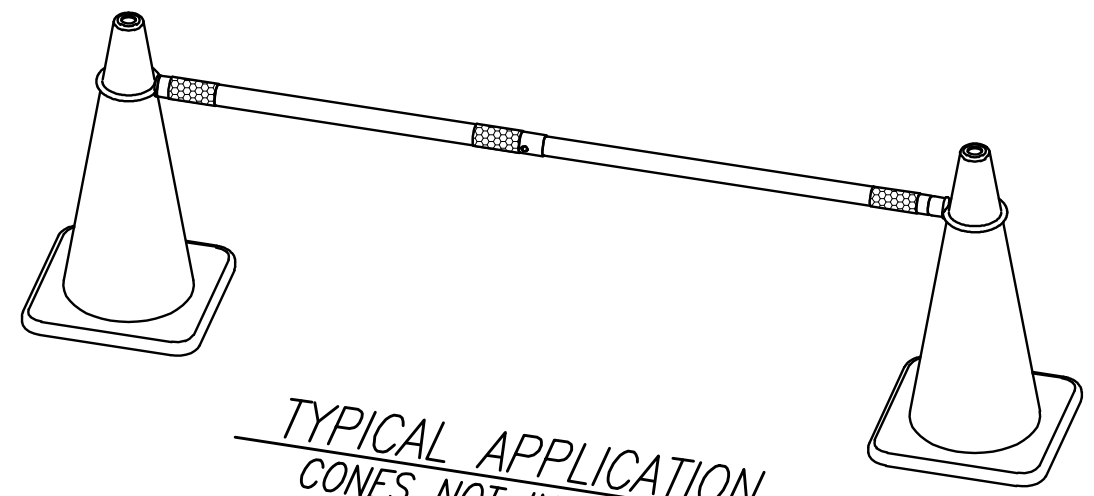
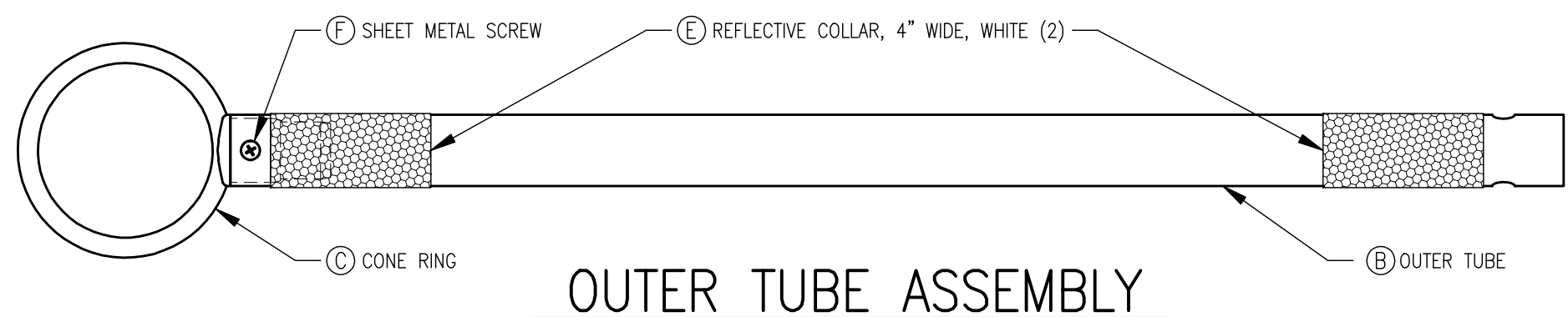


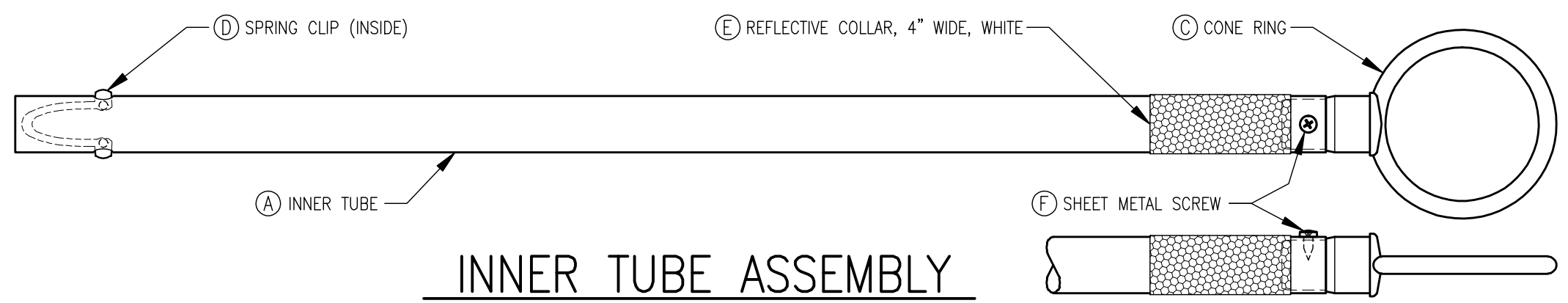
SPRING CLIP INSERTION



*TYPICAL APPLICATION
CONES NOT INCLUDED*



OUTER TUBE ASSEMBLY



INNER TUBE ASSEMBLY

NOTES

1. APPLY REFLECTIVE COLLARS FROM "KISS CUT" ROLLS OF SHEETING IN THE THREE LOCATIONS. MAKE SURE THE OVERLAP IS AT THE BOTTOM OF THE TUBES, OPPOSITE THE SCREW HOLE. THE INNER TUBE WILL HAVE MORE OVERLAP THAN THE OUTER TUBE.
2. PUSH EACH TUBE UP TO THE SHOULDER OF ITS CONE RING, ORIENTING THE TUBE SO THAT THE HOLE IS FACING THE TOP. SECURE THE TUBE TO THE CONE RING WITH THE SHEET METAL SCREW.
3. IT IS OPTIONAL TO PRE-DRILL THE NECK OF THE CONE RING, BUT CARE MUST BE TAKEN TO INSURE THE PROPER ASSEMBLY.
4. INSERT THE SPRING CLIP INTO THE INNER TUBE AND SLIDE ON THE OUTER TUBE TO THE FULLY COLLAPSED LENGTH.
5. PACK (4) FOUR CONE BARS IN EACH CARTON, NESTING THE RINGS TOGETHER AS NEEDED.

BILL OF MATERIAL

REF	QTY	PART NUMBER	DESCRIPTION
(A)	1	13-03-824T3	INNER TUBE, 1.6 OD X 47.5 LONG, SEE DRAWING
(B)	1	13-03-824T4	OUTER TUBE, 1.775 OD X 47.5 LONG, SEE DRAWING
(C)	2	13-03-824CR	CONE RING, ACCEPTS EITHER TUBE, SEE DRAWING
(D)	1	13-03-824SC	SPRING CLIP, WISHBONE SHAPED, SEE DRAWING
(E)	.011	03-500-98	REFLECTIVE SLEEVE, 4" X 50 YD, 6" KISS CUTS
(F)	2	03-01-09	SCREW, NO. 10 TYPE AB, PN HD, PHLPS, ZN PL
(G)	.500	10-01-079	CARTON, 5 X 5 X 48, END OPENING

REV	REF	REVISION DESCRIPTION	BY	DATE
01	----	RELEASED FOR PRODUCTION AND SALES	JIL	1-24-2007

MATERIAL TUBING-EXTERIOR GRADE PVC RINGS & CLIP-POLYPROPYLENE	COLOR AND FINISH TUBING-ORANGE RINGS & CLIP-ORANGE	THIRD ANGLE PROJECTION
TOLERANCES UNLESS OTHERWISE SPECIFIED		
2 PLACE DECIMALS ± N/A		
3 PLACE DECIMALS ± N/A		
ANGULAR DIMENSIONS ± N/A		

THIS DRAWING IN DESIGN AND DETAIL IS THE PROPERTY OF CORTINA TOOL & MOLDING COMPANY. MATERIAL DESCRIBED AND INFORMATION CONVEYED MAY NOT BE COPIED, DIVULGED TO OTHERS OR USED FOR MANUFACTURING OR ANY OTHER PURPOSE WITHOUT CONSENT. ALL DESIGN AND INVENTION RIGHTS RESERVED.

72" TELESCOPING CONE BAR
LIGHTWEIGHT TEMPORARY BARRICADE
USE WITH ALL STD TRAFFIC CONES

SCALE AT B SIZE 1 = 8	DRAWING NUMBER / PART NUMBER	REVISION
DRAFTER JIL DATE 1-8-2007	03-824CB	01
CHECKER JG DATE 1-8-2007		