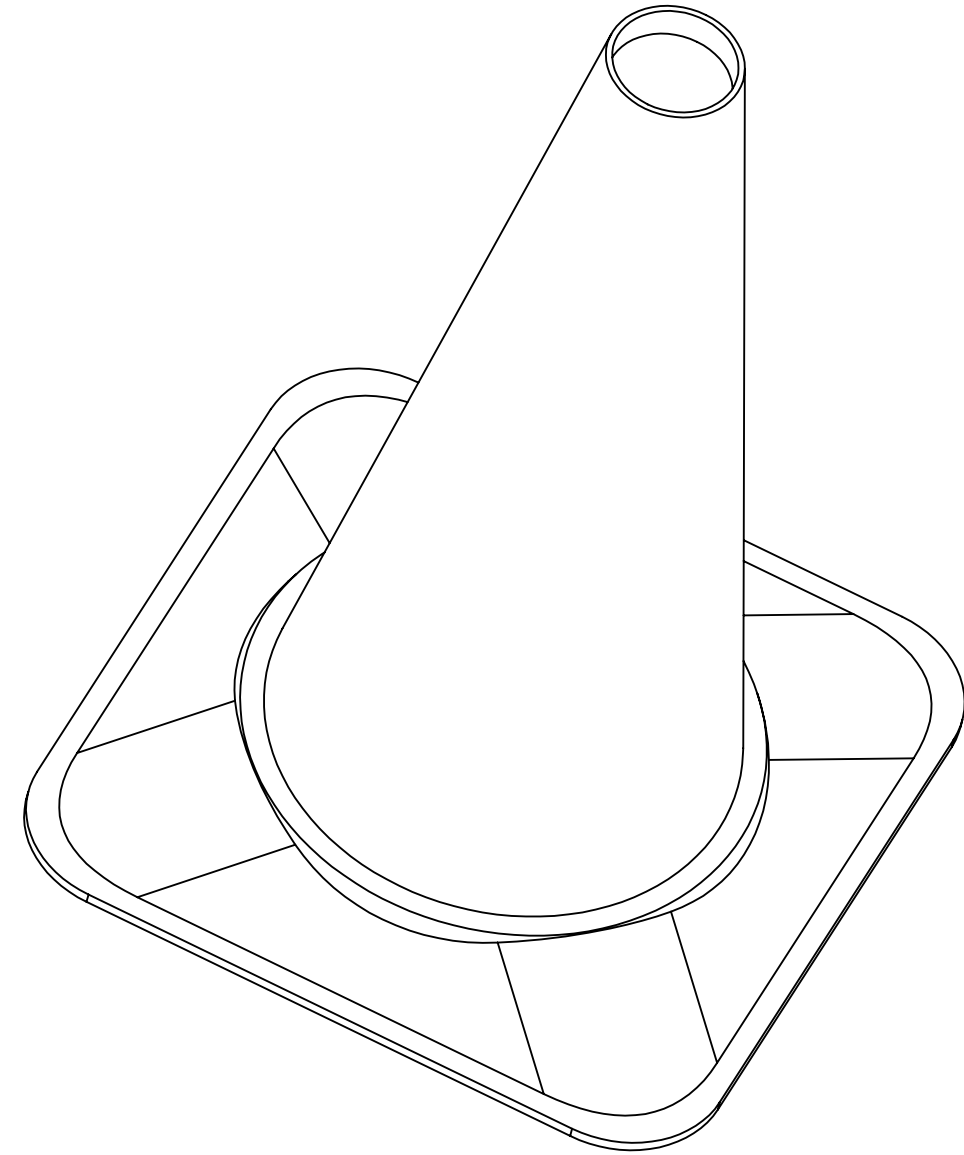
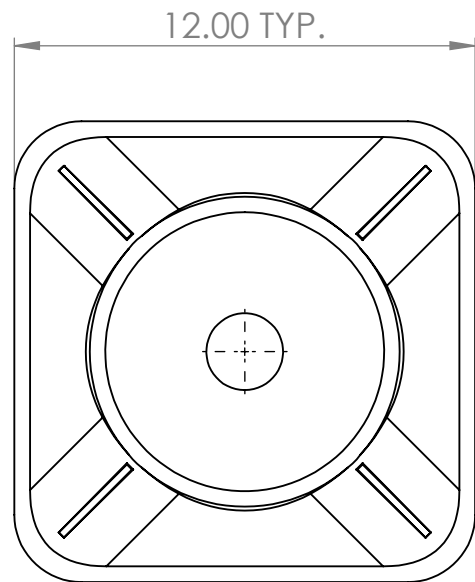
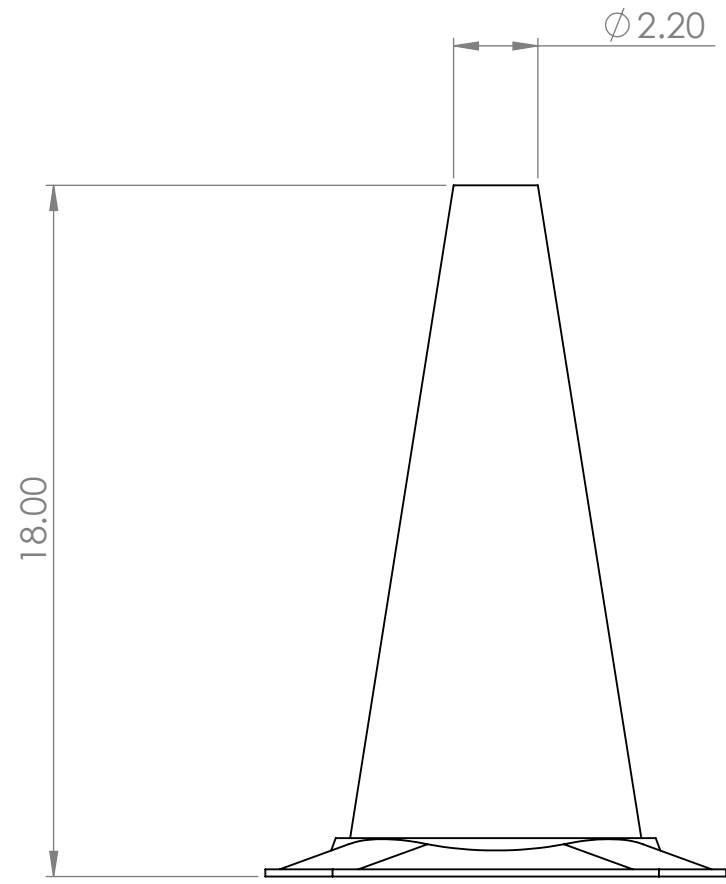


4

3

2

1



**PROPRIETARY AND CONFIDENTIAL**  
 THE INFORMATION CONTAINED IN THIS DRAWING IS THE SOLE PROPERTY OF **CORTINA SAFETY PRODUCTS GROUP**. ANY REPRODUCTION IN PART OR AS A WHOLE WITHOUT THE WRITTEN PERMISSION OF **CORTINA SAFETY PRODUCTS GROUP** IS PROHIBITED.

		UNLESS OTHERWISE SPECIFIED:		NAME	DATE
		<b>DIMENSIONS ARE IN INCHES</b>		DRAWN	RMS
		<b>TOLERANCES:</b>		CHECKED	VEB
		FRACTIONAL ± 1/32		ENG APPR.	MG
		ANGULAR: MACH ± .001 BEND ± .5°		MFG APPR.	JMG
		TWO PLACE DECIMAL ± .050		Q.A.	MS
		THREE PLACE DECIMAL ± .005		COMMENTS:	
		INTERPRET GEOMETRIC TOLERANCING PER: <b>ASME Y14.5-2009</b>			
		MATERIAL			
NEXT ASSY	USED ON	FINISH		SIZE	REV
APPLICATION		DO NOT SCALE DRAWING		<b>B</b>	18 Inch Sports Cone
				SCALE: 1:5	WEIGHT:
				SHEET 1 OF 1	



B

B

A

A

4

3

2

1