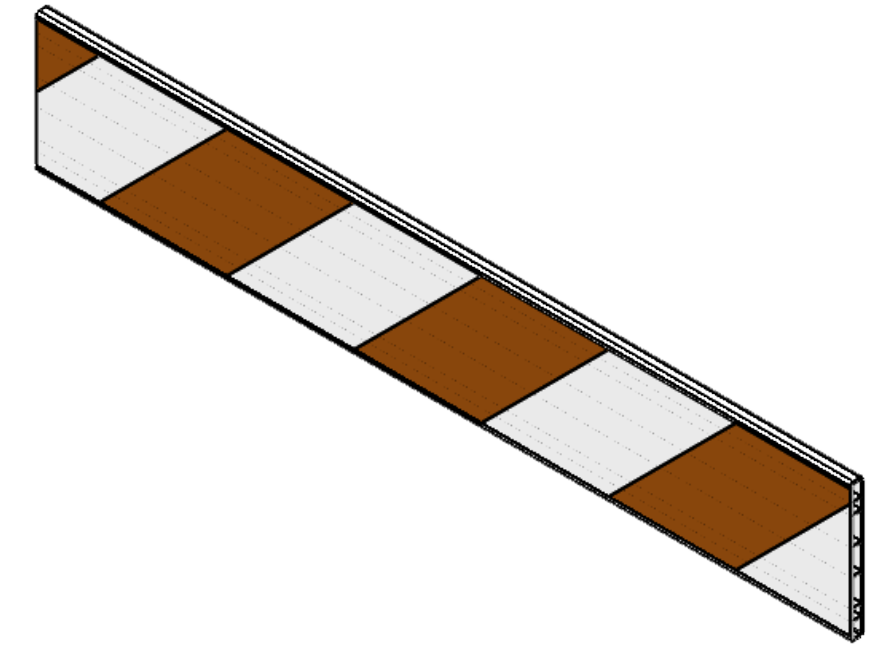
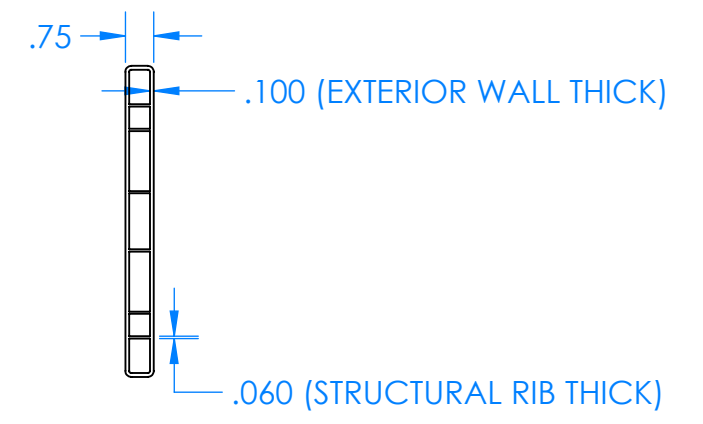
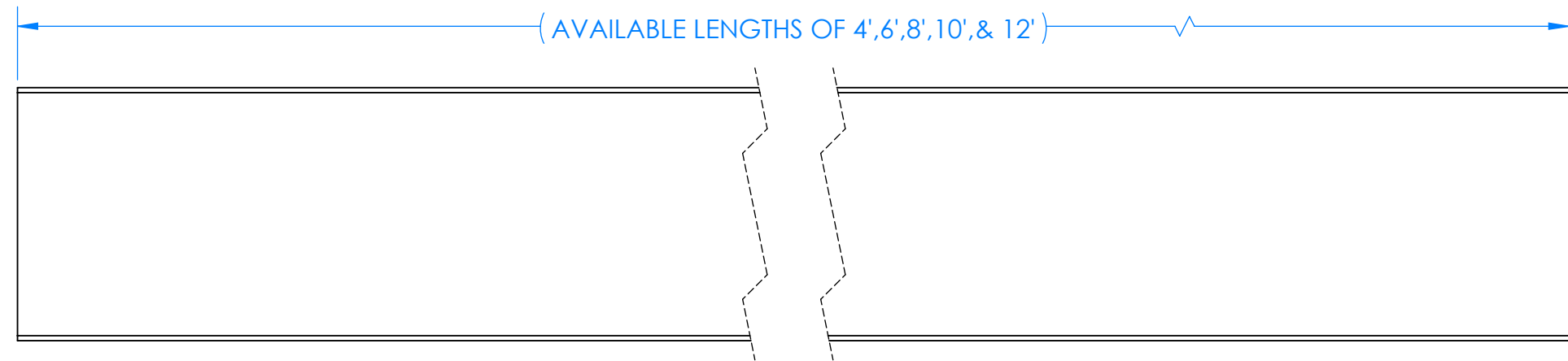


4

3

2

1



B

B

A

A

1X8 PLASTX T-BOARD

MFR. NO.	PRODUCT DESC.
97-01-0113	1X8X4 FT PLAIN
97-01-0113-01	1X8X4 FT EGR 1 SIDE
97-01-0113-02	1X8X4 FT EGR 2 SIDES
97-01-0113-03	1X8X4 FT HI 1 SIDE
97-01-0113-04	1X8X4 FT HI 2 SIDES
97-01-0113-05	1x8x4 FT DG 1 SIDE
97-01-0113-06	1x8x4 FT DG 2 SIDES
97-01-018	1X8X6 FT PLAIN
97-01-018-01	1X8X6 FT EGR 1 SIDE
97-01-018-02	1X8X6 FT EGR 2 SIDES
97-01-018-03	1X8X6 FT HI 2 SIDES
97-01-018-04	1X8X6 FT HI 1 SIDE
97-01-018-05	1x8x6 FT DG 1 SIDE
97-01-018-06	1x8x6 FT DG 2 SIDES
97-01-019	1X8X8 FT PLAIN
97-01-019-01	1X8X8 FT EGR 1 SIDE
97-01-019-02	1X8X8 FT EGR 2 SIDES

MFR. NO.

PRODUCT DESC.

MFR. NO.	PRODUCT DESC.
97-01-019-03	1X8X8 FT HI 2 SIDES
97-01-019-04	1X8X8 FT HI 1 SIDE
97-01-019-05	1x8x8 FT DG 1 SIDE
97-01-019-06	1x8x8 FT DG 2 SIDES
97-01-0110	1X8X10 FT PLAIN
97-01-0110-01	1X8X10 FT EGR 1 SIDE
97-01-0110-02	1X8X10 FT EGR 2 SIDES
97-01-0110-03	1X8X10 FT HI 2 SIDES
97-01-0110-04	1X8X10 FT HI 1 SIDE
97-01-0110-05	1x8x10 FT DG 1 SIDE
97-01-0110-06	1x8x10 FT DG 2 SIDES
97-01-0112	1X8X12 FT PLAIN
97-01-0112-01	1X8X12 FT EGR 1 SIDE
97-01-0112-02	1X8X12 FT EGR 2 SIDES
97-01-0112-03	1X8X12 FT HI 2 SIDES
97-01-0112-04	1X8X12 FT HI 1 SIDE
97-01-0112-05	1x8x12 FT DG 1 SIDE
97-01-0112-06	1x8x12 FT DG 2 SIDES

UNLESS OTHERWISE SPECIFIED:
DIMENSIONS ARE IN INCHES
TOLERANCES:
 FRACTIONAL ± 1/32
 ANGULAR: MACH ± .001 BEND ± .5°
 TWO PLACE DECIMAL ± .050
 THREE PLACE DECIMAL ± .005

INTERPRET GEOMETRIC TOLERANCING PER: ASME Y14.5-2009

MATERIAL
 EXTERIOR GRADE PVC
 FINISH
 EXTRUDED

DO NOT SCALE DRAWING

	NAME	DATE
DRAWN	SMB	6/20/18
CHECKED	VEB	6/20/18
ENG APPR.	MG	
MFG APPR.	JMG	
Q.A.	MS	



CSPG T-BOARDS
 FOR TYPE III BARRICADES, A-FRAME & P-CADE BARRICADE LEGS

SIZE B	1x8 T Boards	REV 1
SCALE: 1:5	WEIGHT:	SHEET 1 OF 1

4

3

2

1