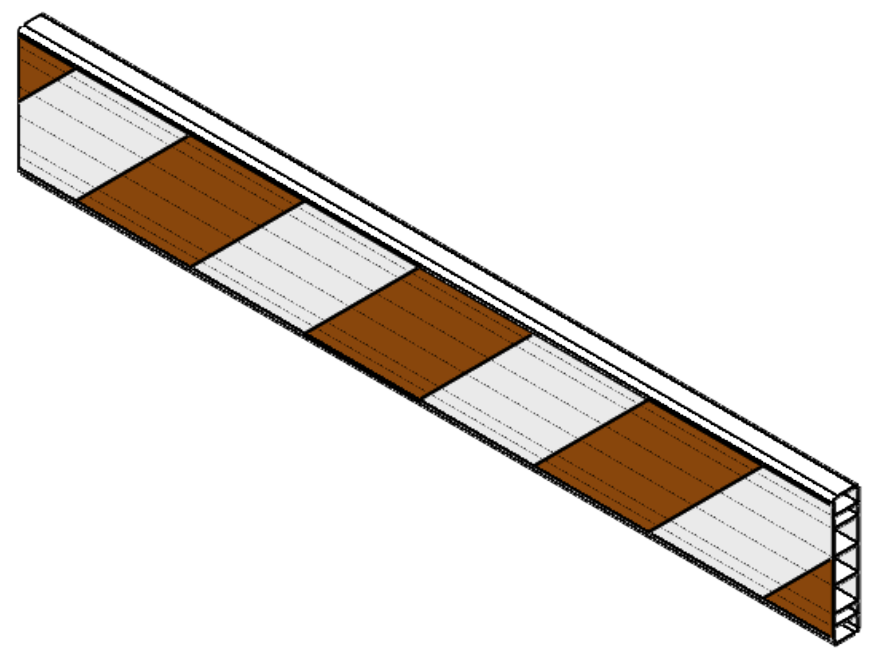
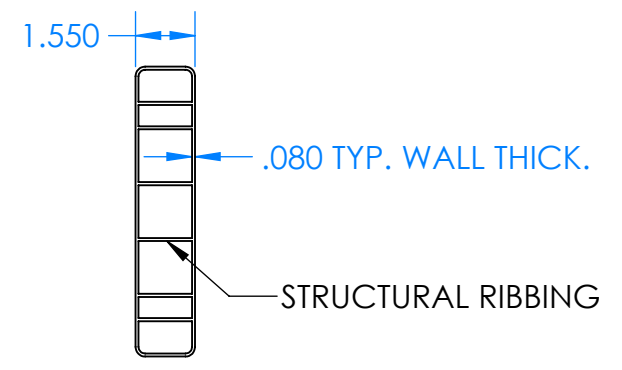
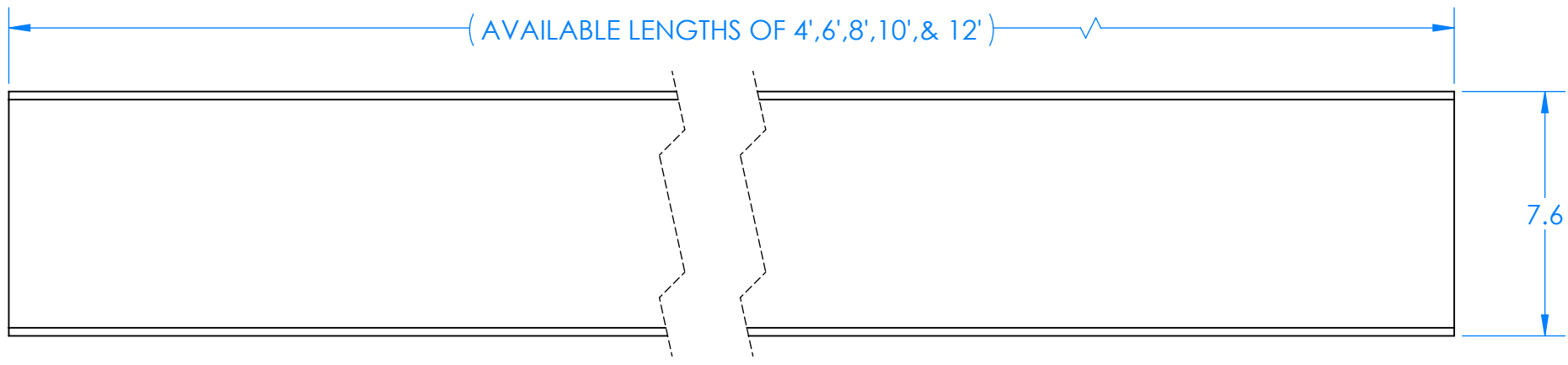


4

3

2

1



2X8 PLASTX T-BOARD

MFR. NO.	PRODUCT DESC.
97-01-0213	2X8X4 FT PLAIN
97-01-0213-01	2X8X4 FT EGR 1 SIDE
97-01-0213-02	2X8X4 FT EGR 2 SIDES
97-01-0213-03	2X8X4 FT HI 2 SIDES
97-01-0213-04	2X8X4 FT HI 1 SIDE
97-01-0213-05	2X8X4 FT DG 1 SIDE
97-01-0213-06	2X8X4 FT DG 2 SIDE
97-01-028	2X8X6 FT PLAIN
97-01-028-01	2X8X6FT EGR 1 SIDE
97-01-028-02	2X8X6FT EGR 2 SIDES
97-01-028-03	2X8X6FT HI 2 SIDES
97-01-028-04	2X8X6FT HI 1 SIDE
97-01-028-05	2X8X6FT DG 1 SIDE
97-01-028-06	2X8X6FT DG 2 SIDES
97-01-029	2X8X8 FT PLAIN
97-01-029-01	2X8X8 FT EGR 1 SIDE
97-01-029-02	2X8X8 FT EGR 2 SIDES
97-01-029-03	2X8X8 FT HI 2 SIDES

MFR. NO.	PRODUCT DESC.
97-01-029-04	2X8X8 FT HI1 SIDE
97-01-029-05	2X8X8 FT DG1 SIDE
97-01-029-06	2X8X8 FT DG 2 SIDES
97-01-029B	2X8X8 FT BLACK BOARD
97-01-0210	2X8X10 FT PLAIN
97-01-0210-01	2X8X10 FT EGR 1 SIDE
97-01-0210-02	2X8X10 FT EGR 2 SIDES
97-01-0210-03	2X8X10 FT HI 2 SIDES
97-01-0210-04	2X8X10 FT HI 1 SIDE
97-01-0210-05	2X8X10 FT DG 1 SIDE
97-01-0210-06	2X8X10 FT DG 2 SIDES
97-01-0212	2X8X12 FT PLAIN
97-01-0212-01	2X8X12 FT EGR 1 SIDE
97-01-0212-02	2X8X12 FT EGR 2 SIDES
97-01-0212-03	2X8X12 FT HI 1 SIDE
97-01-0212-04	2X8X12 FT HI 2 SIDES
97-01-0212-05	2X8X12 FT DG 1 SIDE
97-01-0212-06	2X8X12 FT DG 2 SIDES

UNLESS OTHERWISE SPECIFIED:		NAME	DATE
DIMENSIONS ARE IN INCHES		DRAWN	SMB 6/20/18
TOLERANCES:		CHECKED	VEB 6/20/18
FRACTIONAL ± 1/32		ENG APPR.	MG
ANGULAR: MACH ± .001 BEND ± .5°		MFG APPR.	JMG
TWO PLACE DECIMAL ± .050		Q.A.	MS
THREE PLACE DECIMAL ± .005		PROPRIETARY AND CONFIDENTIAL	
INTERPRET GEOMETRIC TOLERANCING PER: ASME Y14.5-2009		THE INFORMATION CONTAINED IN THIS DRAWING IS THE SOLE PROPERTY OF CORTINA SAFETY PRODUCTS GROUP. ANY REPRODUCTION IN PART OR AS A WHOLE WITHOUT THE WRITTEN PERMISSION OF CORTINA SAFETY PRODUCTS GROUP IS PROHIBITED.	
MATERIAL		DO NOT SCALE DRAWING	
FINISH			



CSPG T-BOARDS
FOR TYPE III BARRICADES, A-FRAME & P-CADE BARRICADE LEGS

SIZE	2 X 8 T-Board	REV	0
SCALE: 1:5	WEIGHT:	SHEET 1 OF 1	

4

3

2

1

B

B

A

A