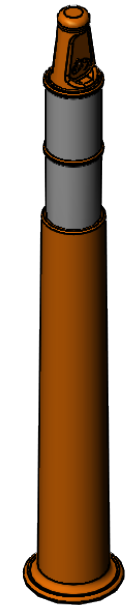
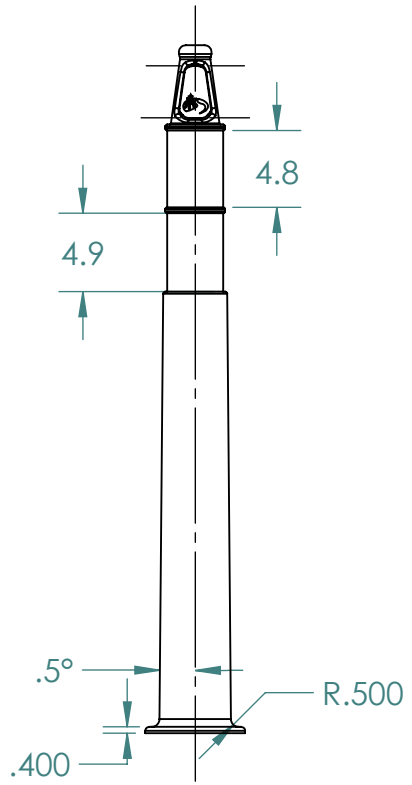
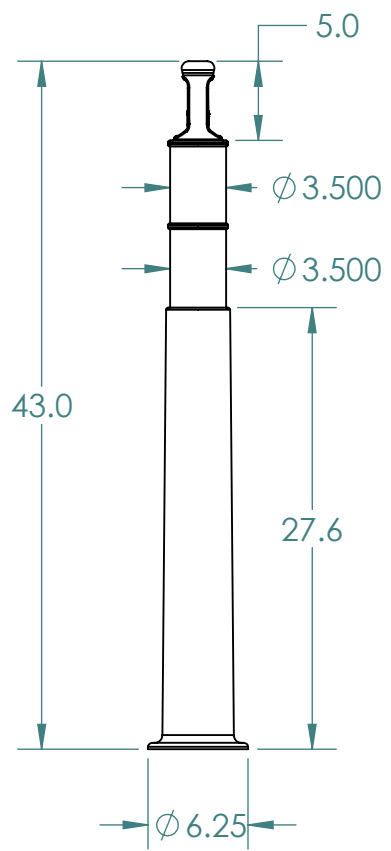


2

1

B

B



A

A

PROPRIETARY AND CONFIDENTIAL
 THE INFORMATION CONTAINED IN THIS DRAWING IS THE SOLE PROPERTY OF **CORTINA SAFETY PRODUCTS GROUP**. ANY REPRODUCTION IN PART OR AS A WHOLE WITHOUT THE WRITTEN PERMISSION OF **CORTINA SAFETY PRODUCTS GROUP** IS PROHIBITED.

		UNLESS OTHERWISE SPECIFIED:		NAME	DATE
		DIMENSIONS ARE IN INCHES TOLERANCES: FRACTIONAL ± 1/32 ANGULAR: MACH ± .002 BEND ± .5° TWO PLACE DECIMAL ± .050 THREE PLACE DECIMAL ± .005	DRAWN	SMB	5/31/18
			CHECKED	VEB	5/31/18
			ENG APPR.	MG	
			MFG APPR.	JMG	
		INTERPRET GEOMETRIC TOLERANCING PER: ASME Y14.5.2-2017	Q.A.	MS	
		MATERIAL HDPE	COMMENTS:		
NEXT ASSY	USED ON	FINISH			
APPLICATION		DO NOT SCALE DRAWING			



STACKABLE DELINEATOR POST

SIZE		REV	
A	CSPG# 03-710	0	
SCALE: 1:12		WEIGHT:	SHEET 1 OF 1

2

1