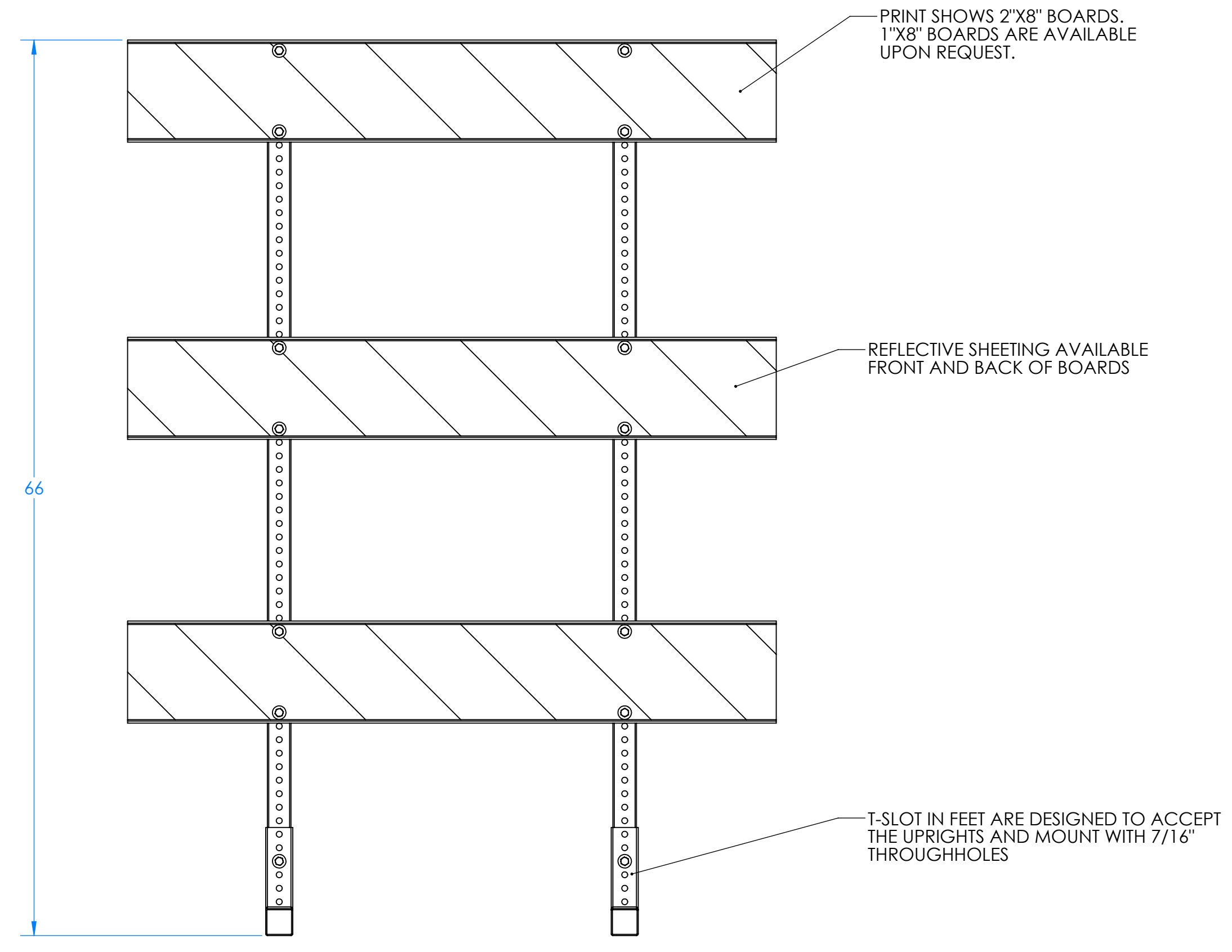
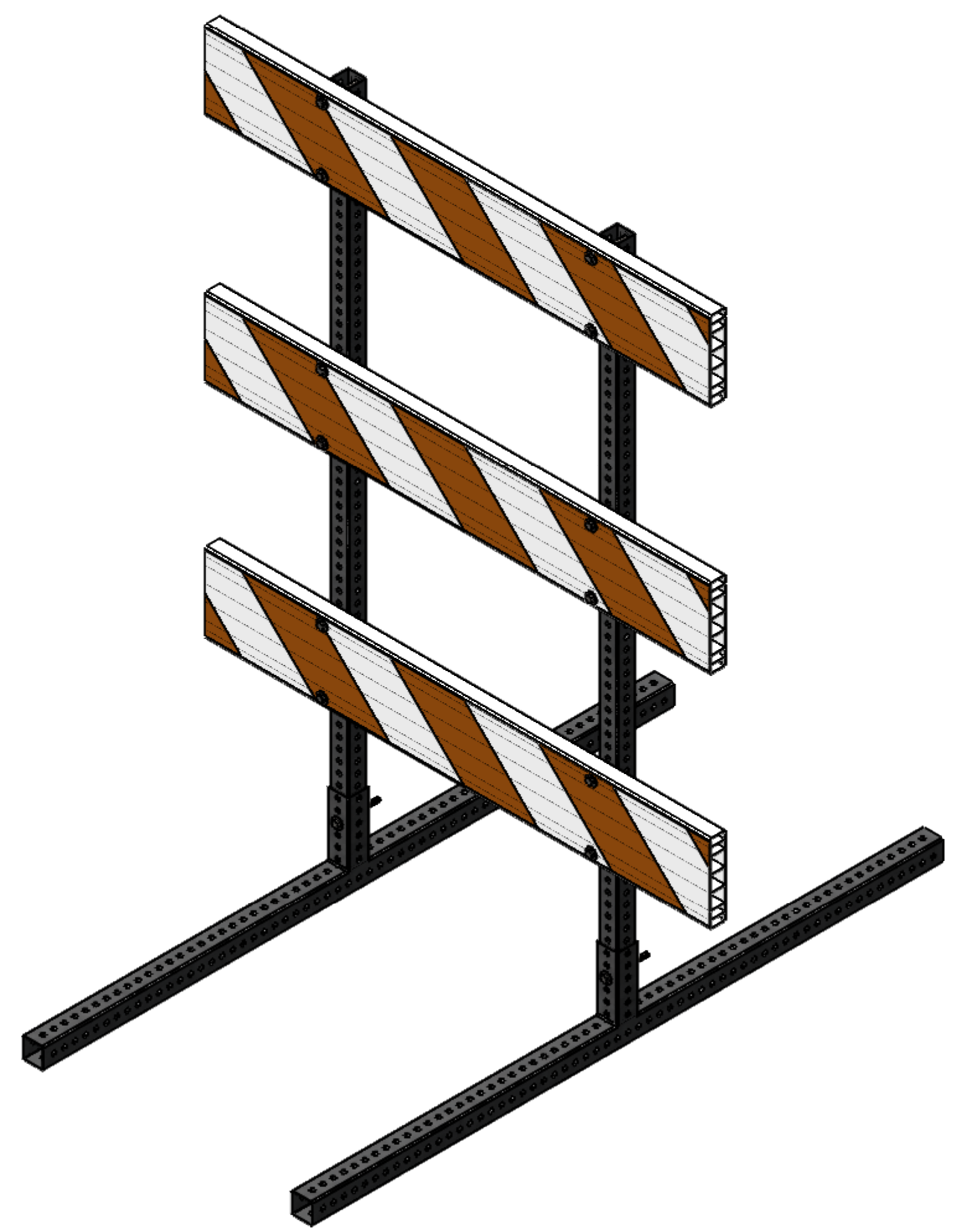


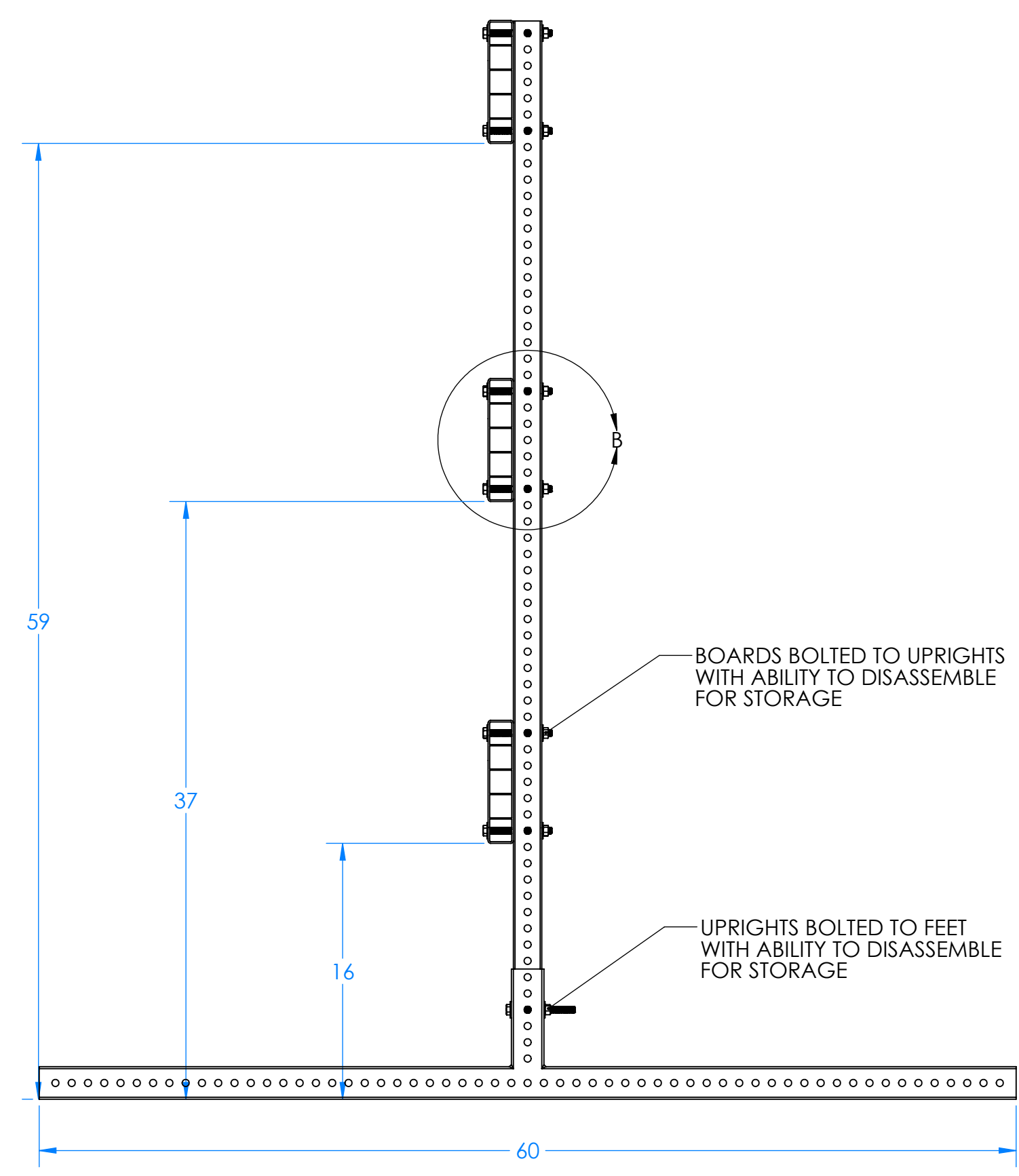
DETAIL A
TUBULAR HIGH STRENGTH FRAME CONSTRUCTION
SCALE 1 : 4



PRINT SHOWS 2"x8" BOARDS.
1"x8" BOARDS ARE AVAILABLE
UPON REQUEST.

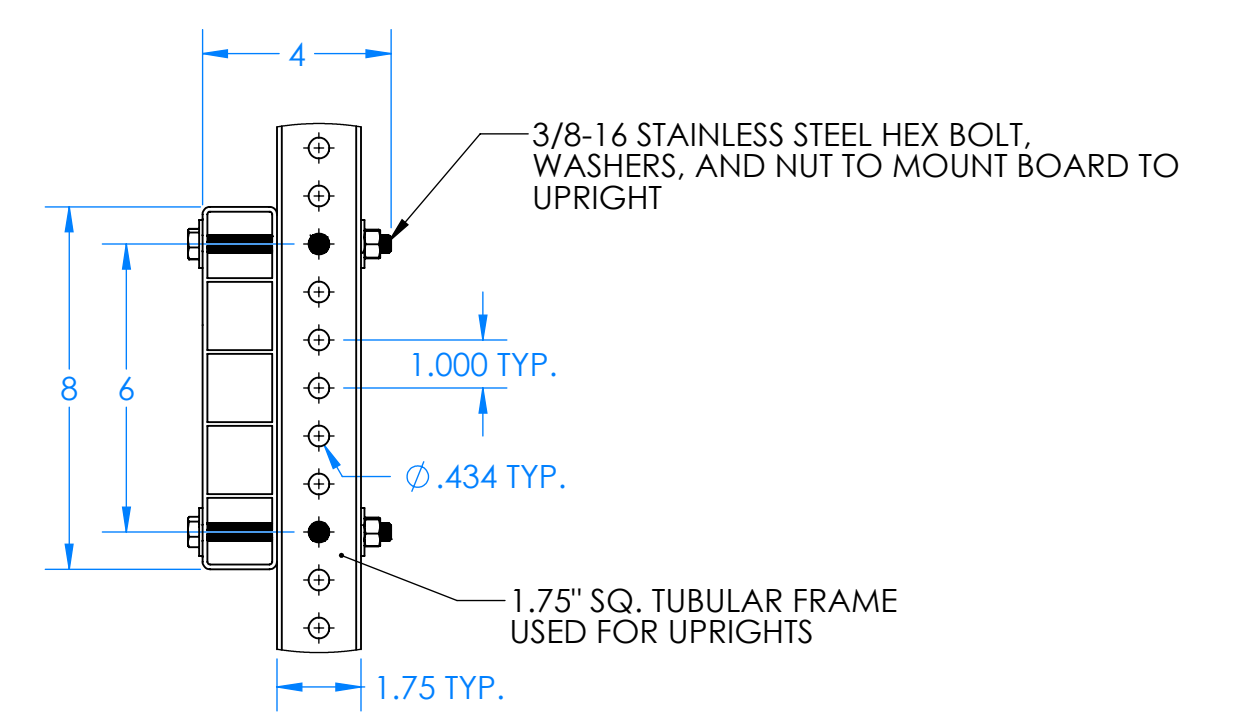
REFLECTIVE SHEETING AVAILABLE
FRONT AND BACK OF BOARDS

T-SLOT IN FEET ARE DESIGNED TO ACCEPT
THE UPRIGHTS AND MOUNT WITH 7/16"
THROUGHHOLES



BOARDS BOLTED TO UPRIGHTS
WITH ABILITY TO DISASSEMBLE
FOR STORAGE

UPRIGHTS BOLTED TO FEET
WITH ABILITY TO DISASSEMBLE
FOR STORAGE



DETAIL B
BOARD MOUNTED TO UPRIGHT
SCALE 1 : 4

BOM		UNLESS OTHERWISE SPECIFIED:		NAME	DATE
2"x8"x48" BOARD	3	DIMENSIONS ARE IN INCHES		DRAWN	SMB
STEEL UPRIGHTS	2	TOLERANCES:		CHECKED	VEB
STEEL FEET	2	FRACTIONAL 1/16		ENG APPR.	JMG
3/8-1/4"x4" BOLT ASSEMBLY	14	ANGULAR MAX: 101 BEND: 15°		MFG APPR.	MG
		TWO PLACE DECIMAL ±.005		Q.A.	MS
		INTERPRET GEOMETRIC TOLERANCING PER: ASME 14.5-2017		COMMENTS:	
		MATERIAL:		PART NUMBER IS BASED ON CONFIGURATION DEPENDANT ON SHEETING, SIDES OF SHEETING AND BOARD LENGTH. PLEASE REFER TO CATALOG FOR APPROPRIATE PART NUMBER.	
		PVC BOARDS			
		GLAZERANIZED STEEL FRAME FINISH			
NEXT ASSY	USED ON				
APPLICATION	DO NOT SCALE DRAWING				

Cortina Safety Products

TELESPAR TYPE III STEEL FRAME BARRICADE 4 FOOT WIDE VERSION

SIZE **D** CSPG#97-1700-4 REV **0**

SCALE: 1:8 WEIGHT: SHEET 1 OF 3

PROPRIETARY AND CONFIDENTIAL
THE INFORMATION CONTAINED IN THIS DRAWING IS THE SOLE PROPERTY OF
CORTINA SAFETY PRODUCTS GROUP. ANY
REPRODUCTION IN PART OR AS A WHOLE
WITHOUT THE WRITTEN PERMISSION OF
CORTINA SAFETY PRODUCTS GROUP IS
PROHIBITED.