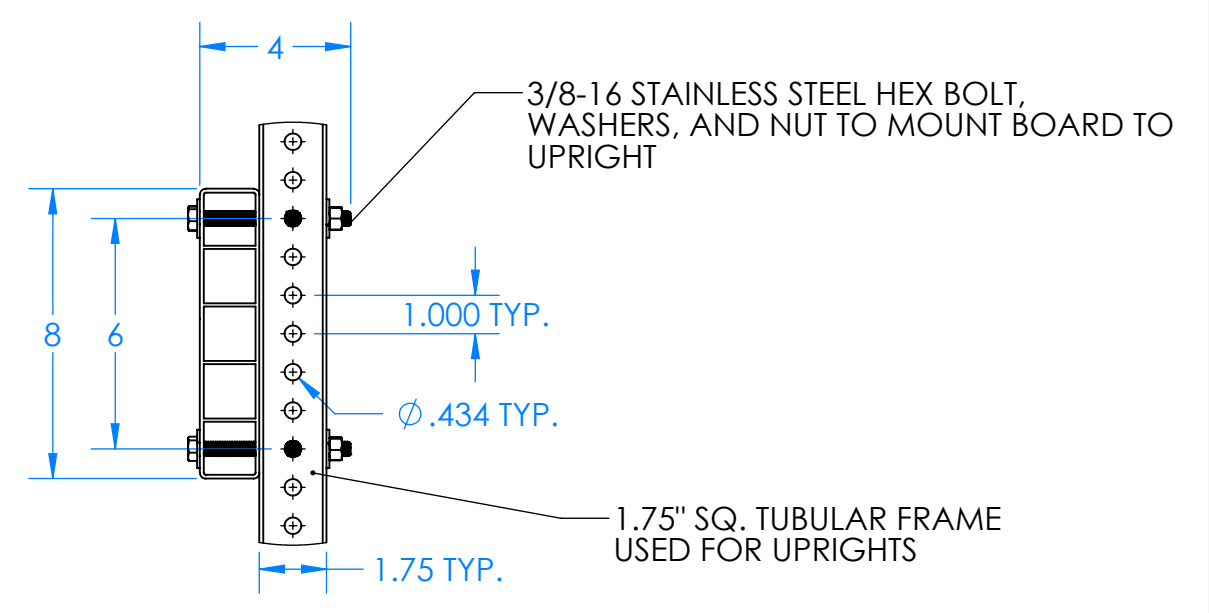
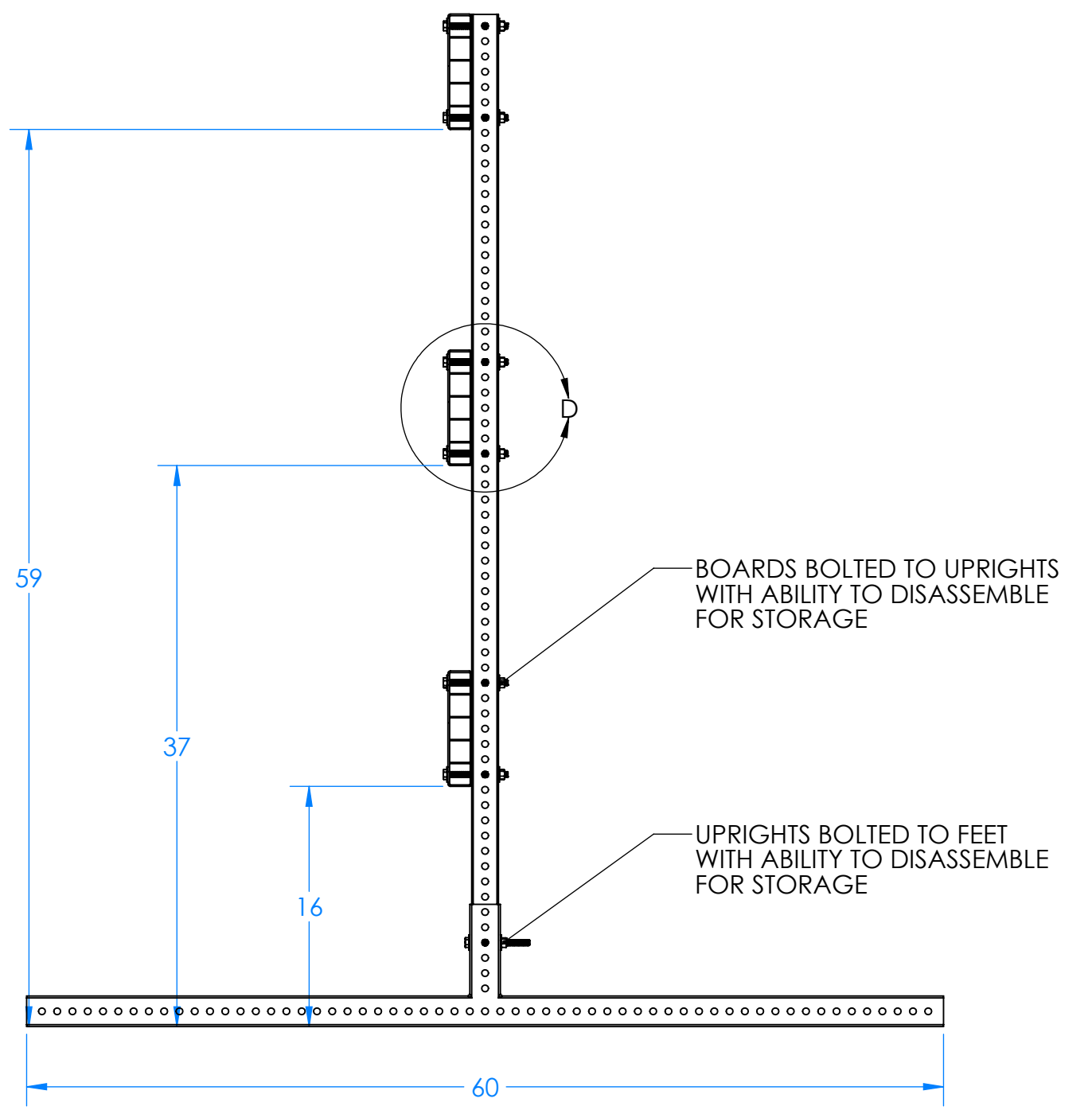
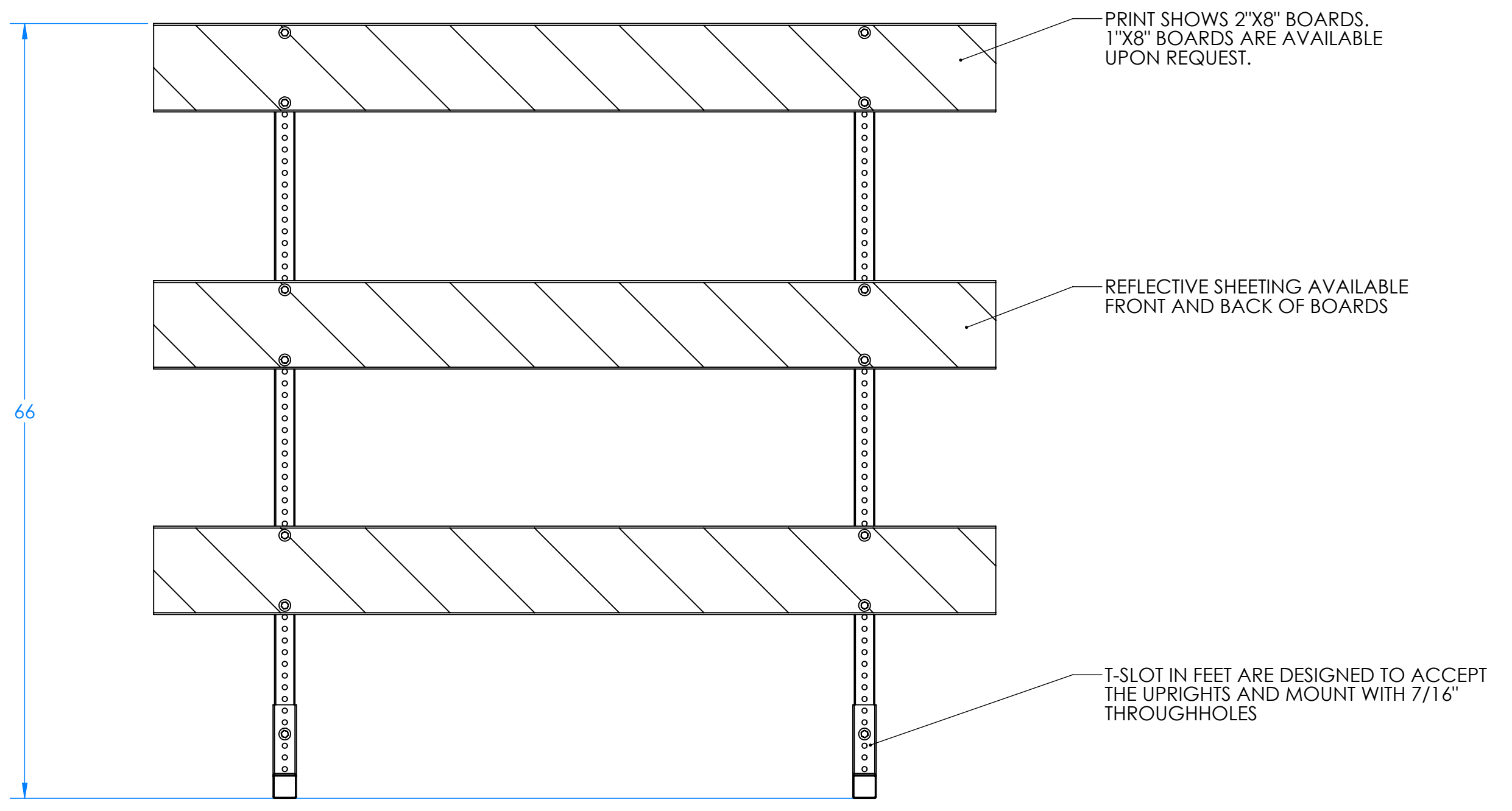
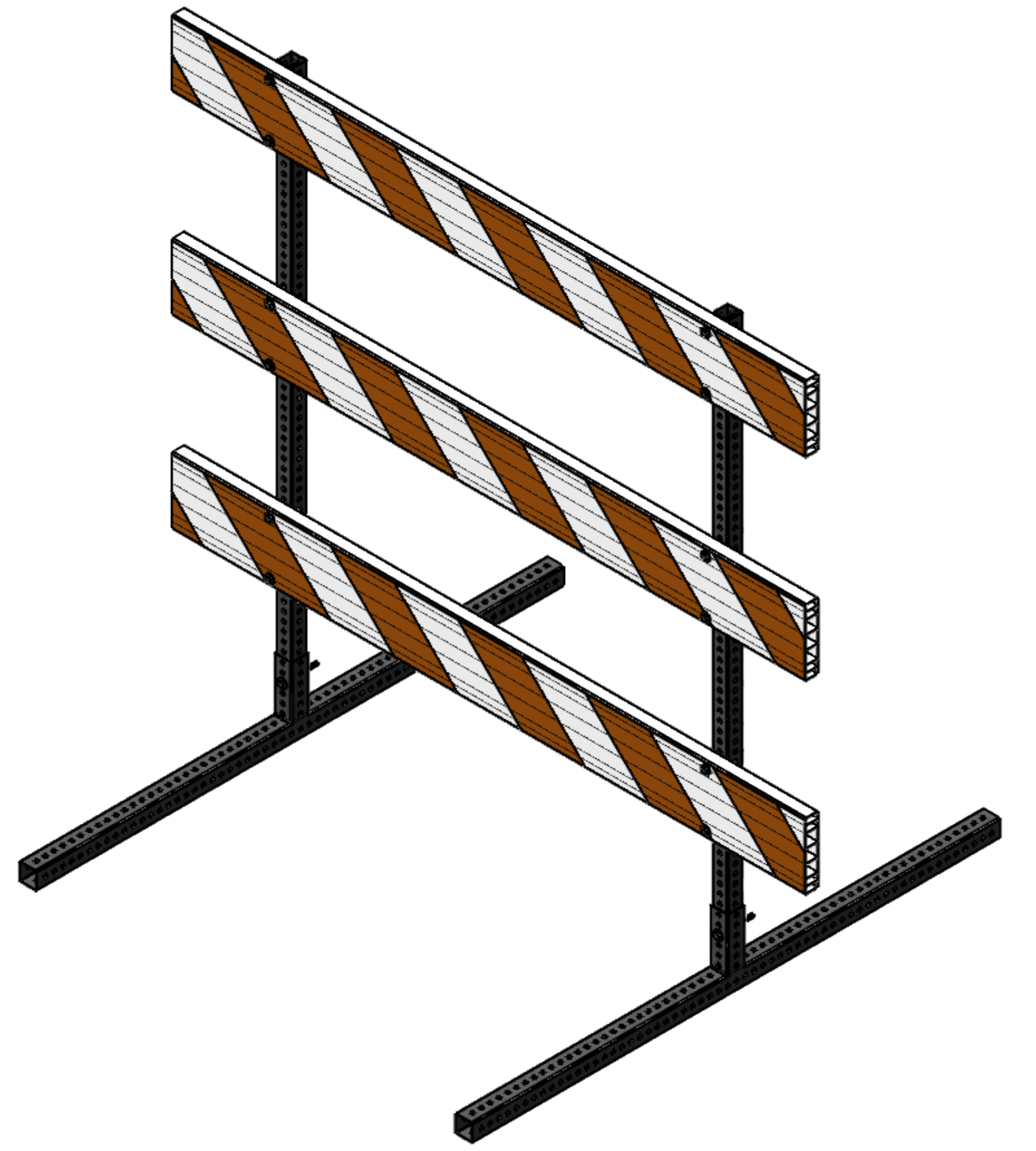


DETAIL C
TUBULAR HIGH STRENGTH FRAME CONSTRUCTION
SCALE 1 : 5



DETAIL D
BOARD MOUNTED TO UPRIGHT
SCALE 1 : 5

BOM		UNLESS OTHERWISE SPECIFIED:		NAME	DATE
2'X8'X72\"	3	DIMENSIONS ARE IN INCHES		DRAWN	SMB
STEEL UPRIGHTS	2	TOLERANCES:		CHECKED	VEB
STEEL FEET	2	FRACTIONAL 1/16		ENG APPR.	JMG
3/8-1/4\"	14	ANGULAR MAXIMUM BEND 15°		MFG APPR.	MG
ASSEMBLY		TWO PLACE DECIMAL ±.005		Q.A.	MS
NEXT ASSY	USED ON	INTERPRET GEOMETRIC TOLERANCING PER: ASME 14.5-2017		COMMENTS:	
APPLICATION	DO NOT SCALE DRAWING	MATERIAL:		PART NUMBER IS BASED ON CONFIGURATION DEPENDANT ON SHEETING, SIDES OF SHEETING AND BOARD LENGTH. PLEASE REFER TO CATALOG FOR APPROPRIATE PART NUMBER.	
		FINISH:			
		GLAZANIZED STEEL FRAME			

Cortina Safety Products

TELESPAR TYPE III STEEL FRAME BARRICADE 6 FOOT WIDE VERSION

SIZE **D** CSPG#97-1700-6 REV **0**

SCALE: 1:10 WEIGHT: SHEET 2 OF 3

PROPRIETARY AND CONFIDENTIAL
THE INFORMATION CONTAINED IN THIS DRAWING IS THE SOLE PROPERTY OF
CORTINA SAFETY PRODUCTS GROUP. ANY
REPRODUCTION IN PART OR AS A WHOLE
WITHOUT THE WRITTEN PERMISSION OF
CORTINA SAFETY PRODUCTS GROUP IS
PROHIBITED.