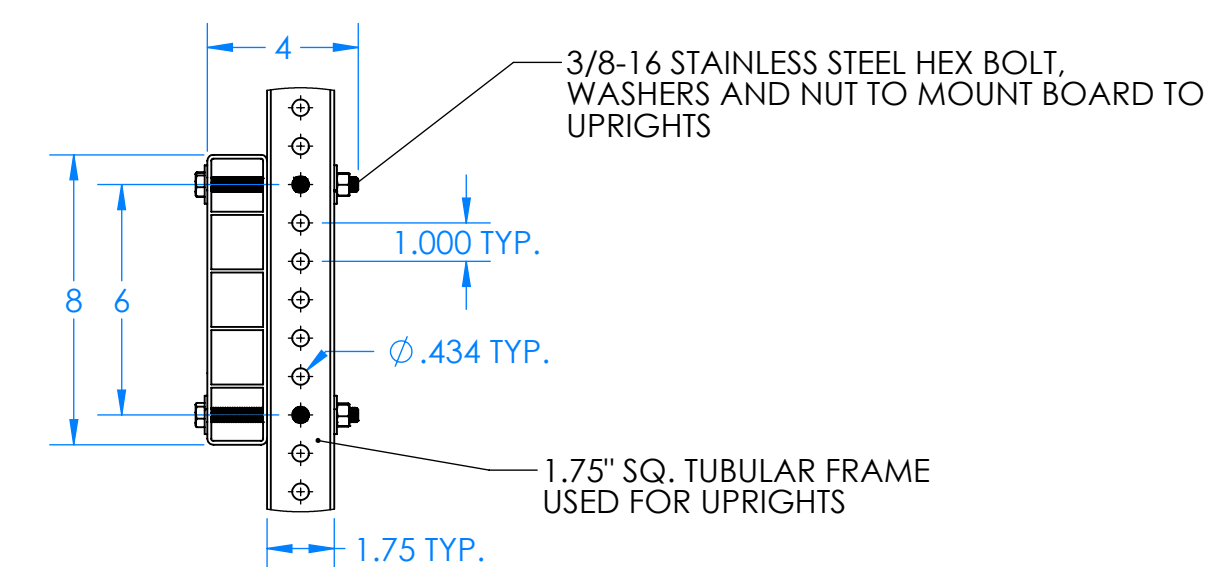
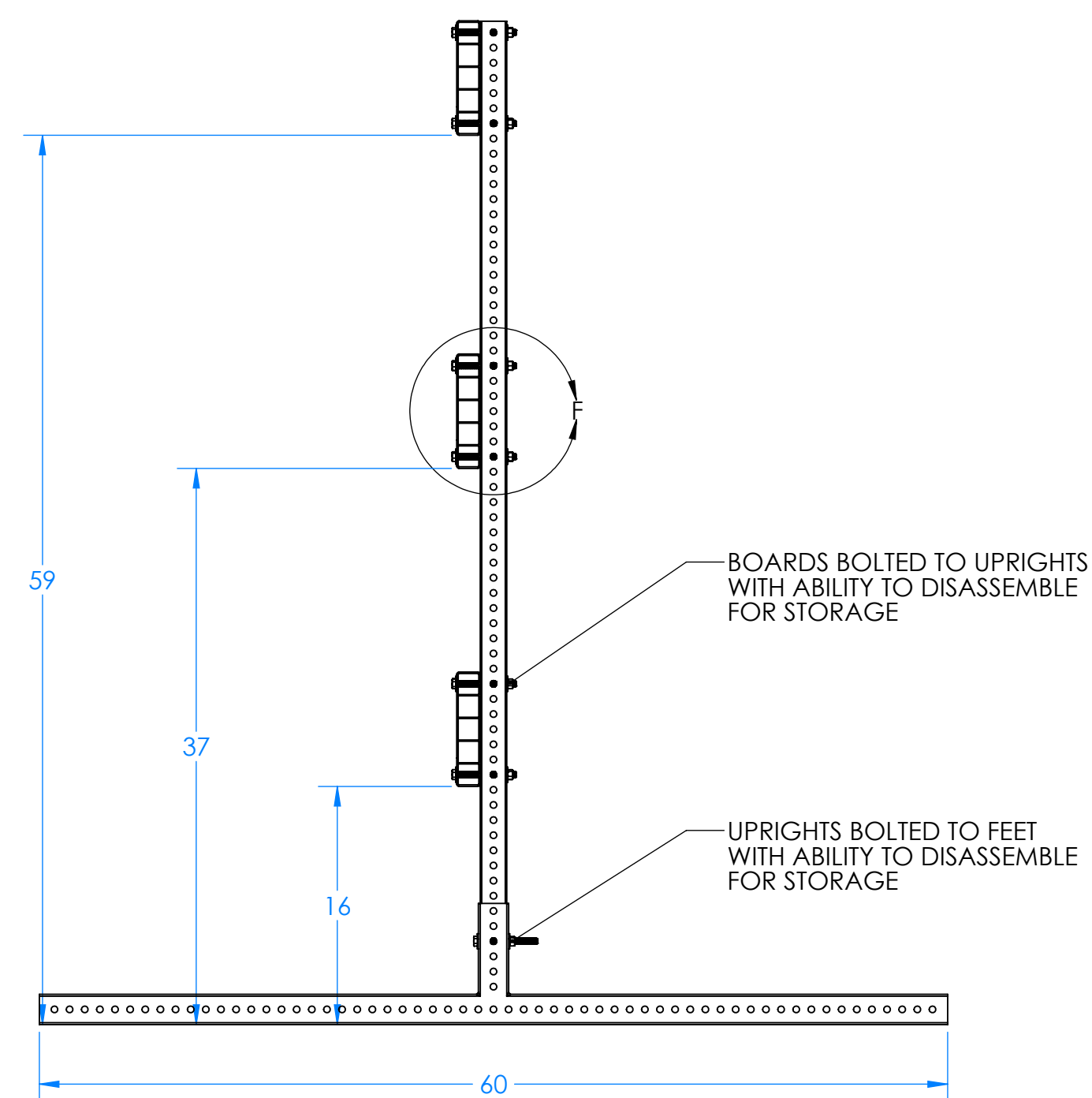
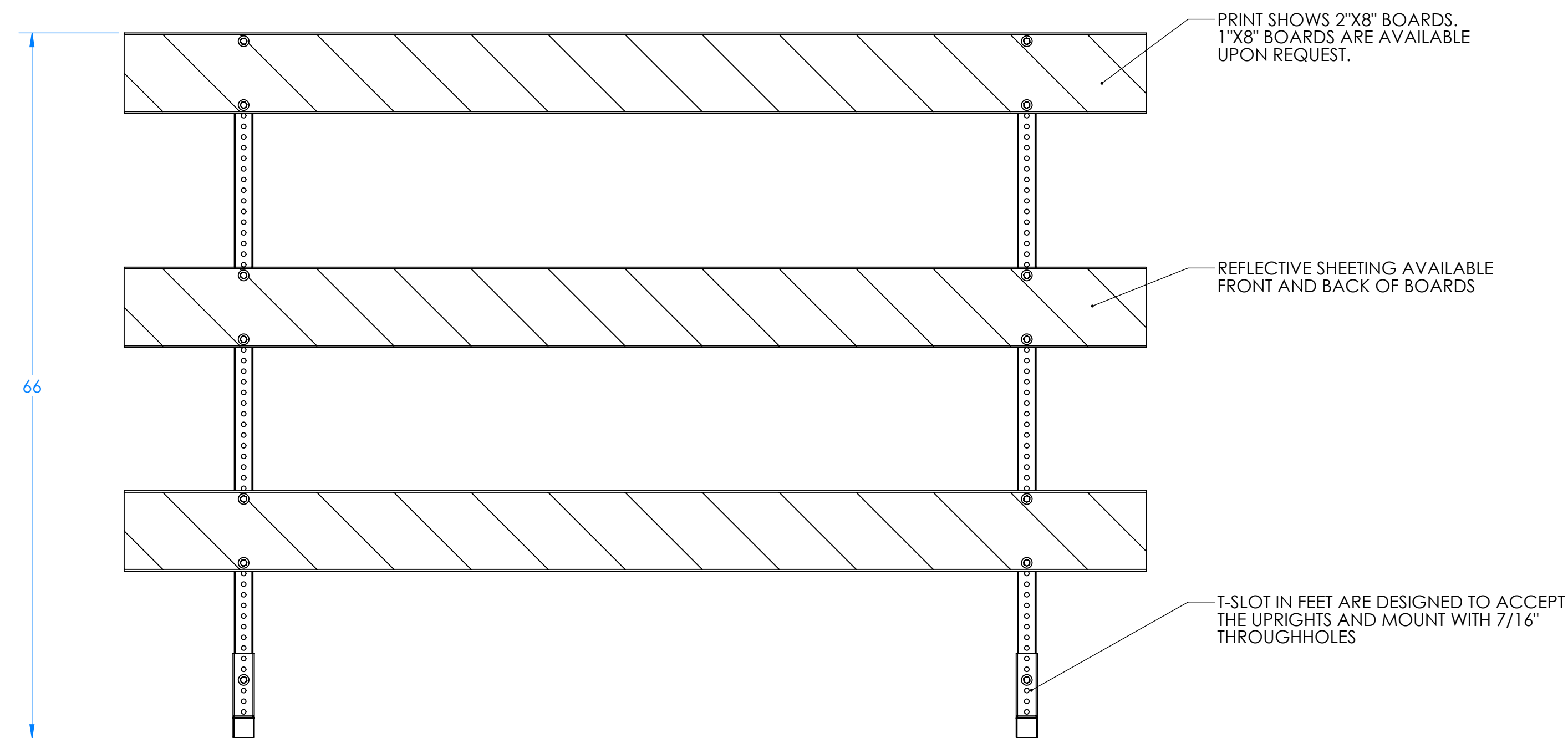
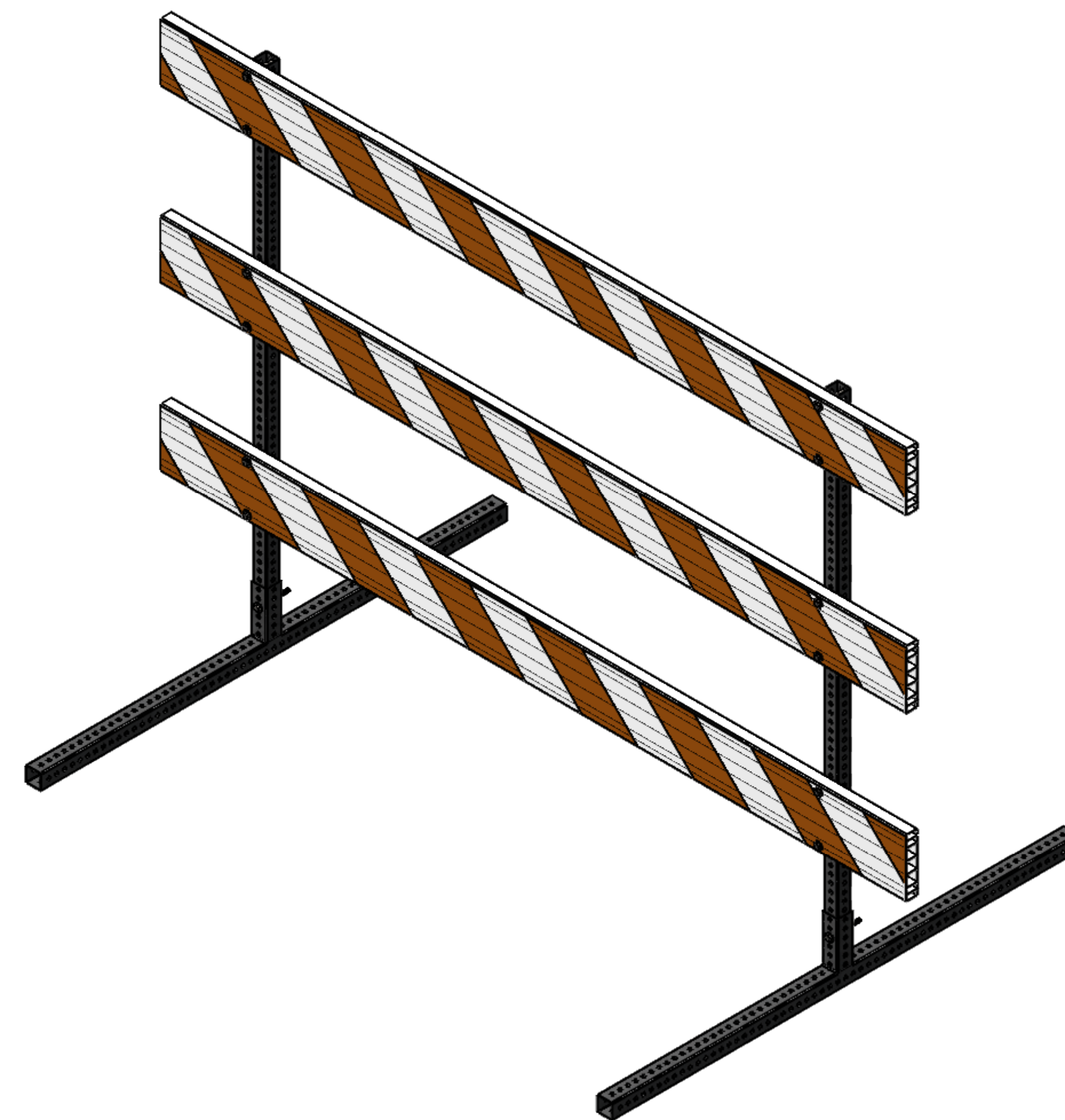


DETAIL E
TUBULAR HIGH STRENGTH FRAME CONSTRUCTION
SCALE 1 : 5



DETAIL F
BOARD MOUNTED TO UPRIGHT
SCALE 1 : 5

BOM		UNLESS OTHERWISE SPECIFIED:		NAME	DATE
2"X8"X96" BOARD	3	DIMENSIONS ARE IN INCHES		DRAWN	SMB
STEEL UPRIGHTS	2	TOLERANCES:		CHECKED	VEB
STEEL FEET	2	FRACTIONAL 1/16		ENG APPR.	JMG
3/8-1/4"X4" BOLT ASSEMBLY	14	ANGULAR MATCH: 90° BEND: 15°		MFG APPR.	MG
NEXT ASSY	USED ON	INTERPRET GEOMETRIC TOLERANCING PER: ASME 14.4-2017		Q.A.	MS
APPLICATION	DO NOT SCALE DRAWING	MATERIAL:		COMMENTS:	
		PVC BOARDS		PART NUMBER IS BASED ON CONFIGURATION DEPENDANT ON SHEETING, SIDES OF SHEETING AND BOARD LENGTH. PLEASE REFER TO CATALOG FOR APPROPRIATE PART NUMBER	
		GLAZER/ANODIZED STEEL FRAME FINISH			

Cortina Safety Products

TELESPAR TYPE III STEEL FRAME BARRICADE 8 FOOT WIDE VERSION

SIZE **D** CSPG#97-1700-8 REV **0**

SCALE: 1:10 WEIGHT: SHEET 3 OF 3

PROPRIETARY AND CONFIDENTIAL
THE INFORMATION CONTAINED IN THIS DRAWING IS THE SOLE PROPERTY OF CORTINA SAFETY PRODUCTS GROUP. ANY REPRODUCTION IN PART OR AS A WHOLE WITHOUT THE WRITTEN PERMISSION OF CORTINA SAFETY PRODUCTS GROUP IS PROHIBITED.