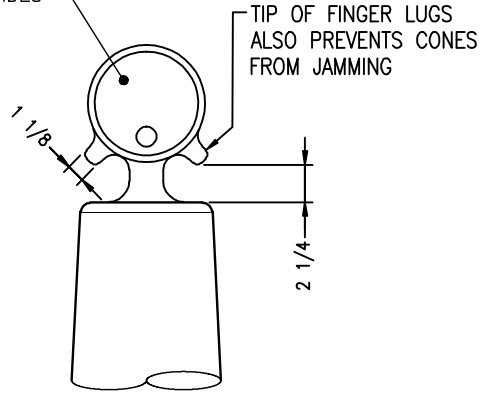
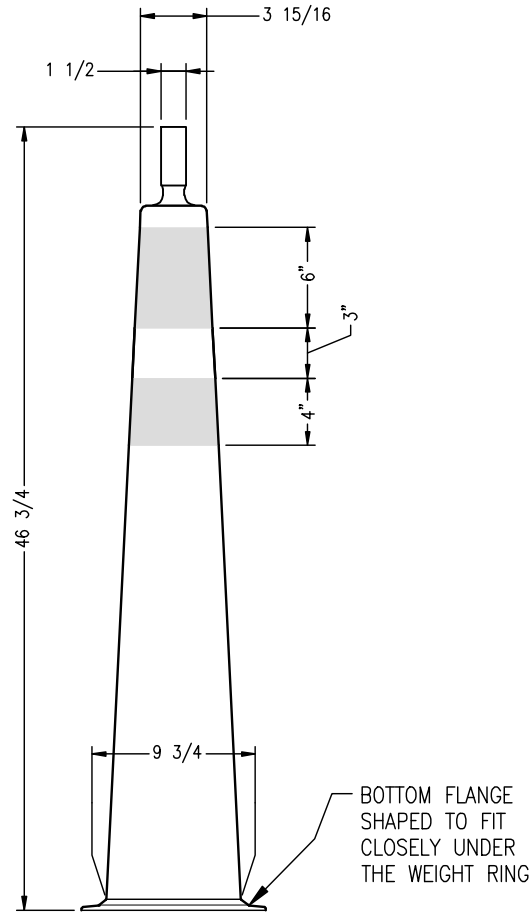


RECESSED AREA FOR 3" ROUND REFLECTOR, BOTH SIDES

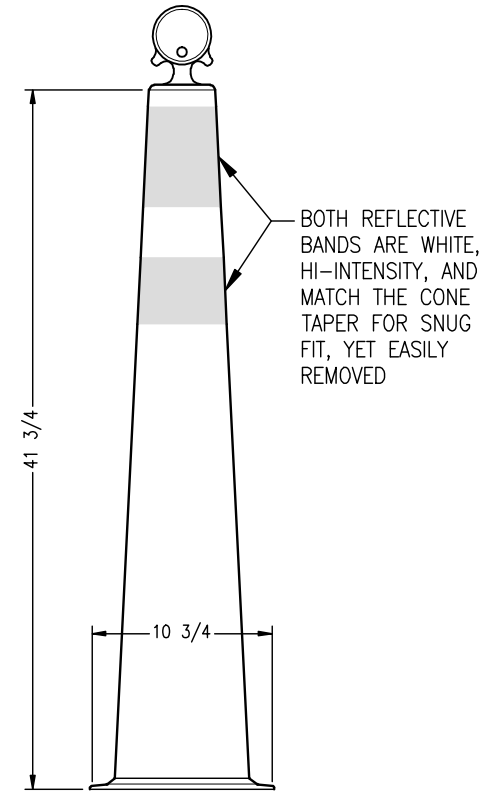


HANDLE DETAIL

ROADSIDE RETRIEVAL GOES QUICK AND EASY WITH THE PERFECTLY PROPORTIONED TWO-FINGER GRAB SLOTS



FRONT VIEW



SIDE VIEW

RECOMMENDED RUBBER BASES

- 03-770-5 10 LB HEX RECYCLED RUBBER BASE
- 03-770-6 15 LB HEX RECYCLED RUBBER BASE

CHANNELIZERS  
CERTIFIED TO BE  
COMPLIANT WITH  
NCHRP PART 350

REV	REF	REVISION DESCRIPTION	BY	DATE
A	---	RELEASED FOR SALES REPS AND CUSTOMER SERVICE	JIL	7-16-2014
MATERIAL		COLOR AND FINISH	THIRD ANGLE PROJECTION	
MOLDED OF HI-GRADE HDPE BLENDED WITH UV INHIBITORS		POST - ORANGE IS STD SPECIAL COLORS AVAILABLE		
WEIGHT = 2.5 LB		CONTACT SALES REP		
<small>THIS DRAWING IN DESIGN AND DETAIL IS THE PROPERTY OF CORTINA TOOL &amp; MOLDING COMPANY. MATERIAL DESCRIBED AND INFORMATION CONVEYED MAY NOT BE COPIED, DIVULGED TO OTHERS OR USED FOR MANUFACTURING OR ANY OTHER PURPOSE WITHOUT CONSENT. ALL DESIGN AND INVENTION RIGHTS RESERVED.</small>				
		TOLERANCES UNLESS OTHERWISE SPECIFIED		
		2 PLACE DECIMALS ± N/A		
		3 PLACE DECIMALS ± N/A		
		ANGULAR DIMENSIONS ± N/A		

**Cortina** A Cortina Company

REGISTERED ISO 9002  
www.cortinaco.com

10706 WEST GRAND AVENUE, FRANKLIN PARK, IL 60131

**CHANNELIZER-CONE, 42" TALL**

**TWO REFLECTIVE BANDS, 6" AND 4" WIDE**

**BANDS ARE BOTH WHITE, HI-INTENSITY**

SCALE AT B SIZE	NTS	DRAWING NUMBER	REVISION
DRAFTER	JIL	DATE	7-01-2014
CHECKER	MK	DATE	7-16-2014
		03-770-42-64HI	A