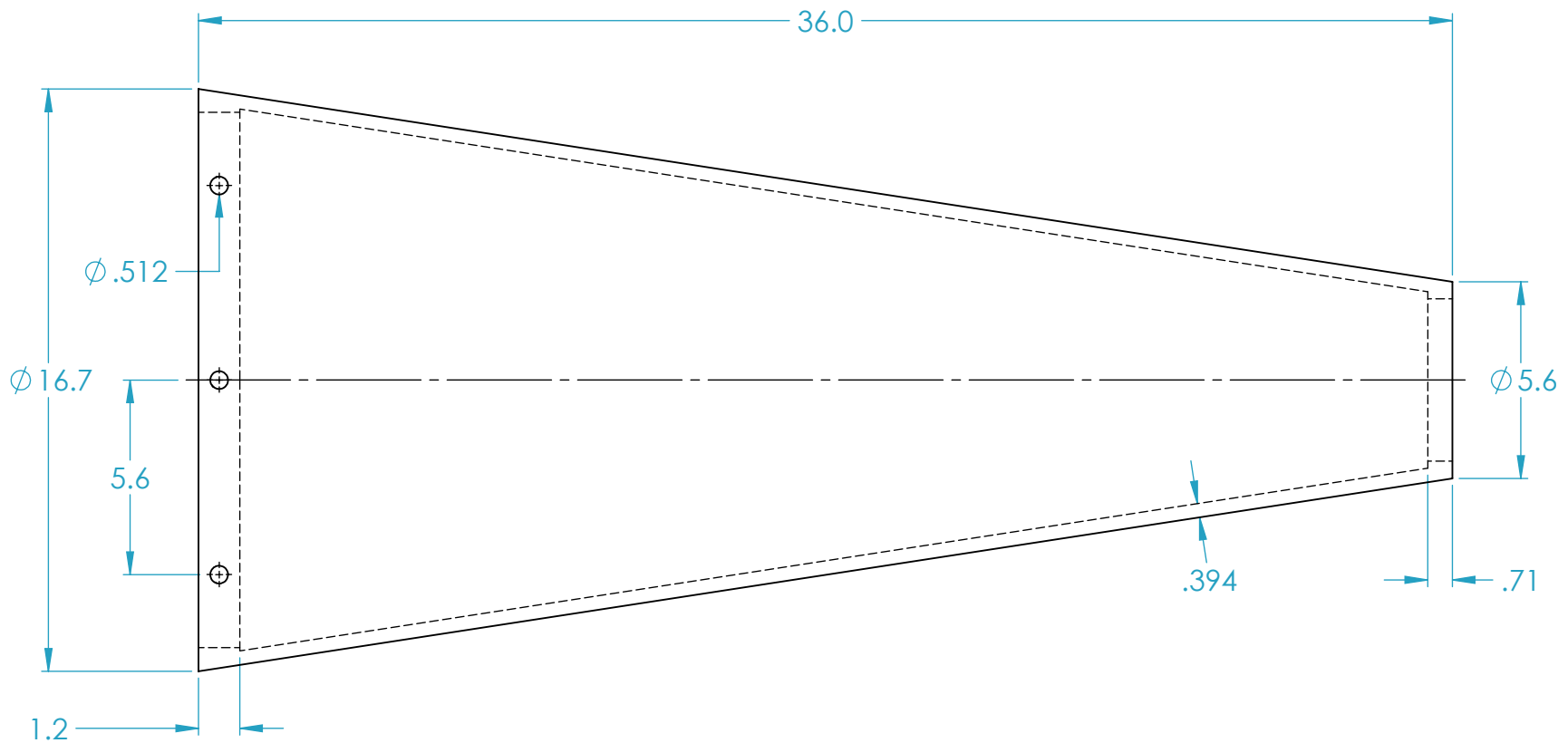



B



B

A

		UNLESS OTHERWISE SPECIFIED:		NAME	DATE			
		<b>DIMENSIONS ARE IN INCHES</b> <b>TOLERANCES:</b> FRACTIONAL $\pm 1/32$ ANGULAR: MACH $\pm .002$ BEND $\pm .5^\circ$ TWO PLACE DECIMAL $\pm .050$ THREE PLACE DECIMAL $\pm .005$		DRAWN	SMB			8/22/18
				CHECKED	VEB			
				ENG APPR.	MG			
				MFG APPR.	JMG			
		INTERPRET GEOMETRIC TOLERANCING PER: <b>ASME Y14.5.2-2017</b>		Q.A.	MS	<b>WINDSOCK</b>		
		MATERIAL		COMMENTS:				
		FINISH						
NEXT ASSY	USED ON							
APPLICATION		DO NOT SCALE DRAWING				SIZE	03-WS-3G	REV
				<b>A</b>				
				SCALE: 1:5	WEIGHT:	SHEET 1 OF 1		

A

**PROPRIETARY AND CONFIDENTIAL**  
 THE INFORMATION CONTAINED IN THIS DRAWING IS THE SOLE PROPERTY OF **CORTINA SAFETY PRODUCTS GROUP**. ANY REPRODUCTION IN PART OR AS A WHOLE WITHOUT THE WRITTEN PERMISSION OF **CORTINA SAFETY PRODUCTS GROUP** IS PROHIBITED.

2

1