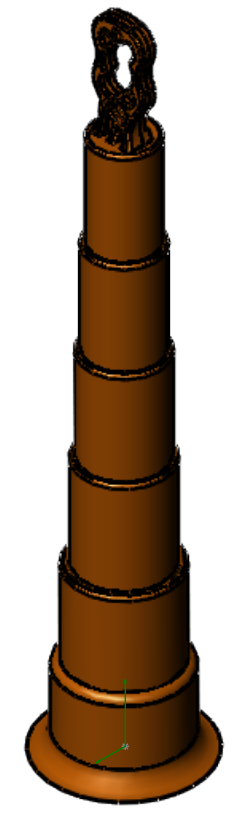
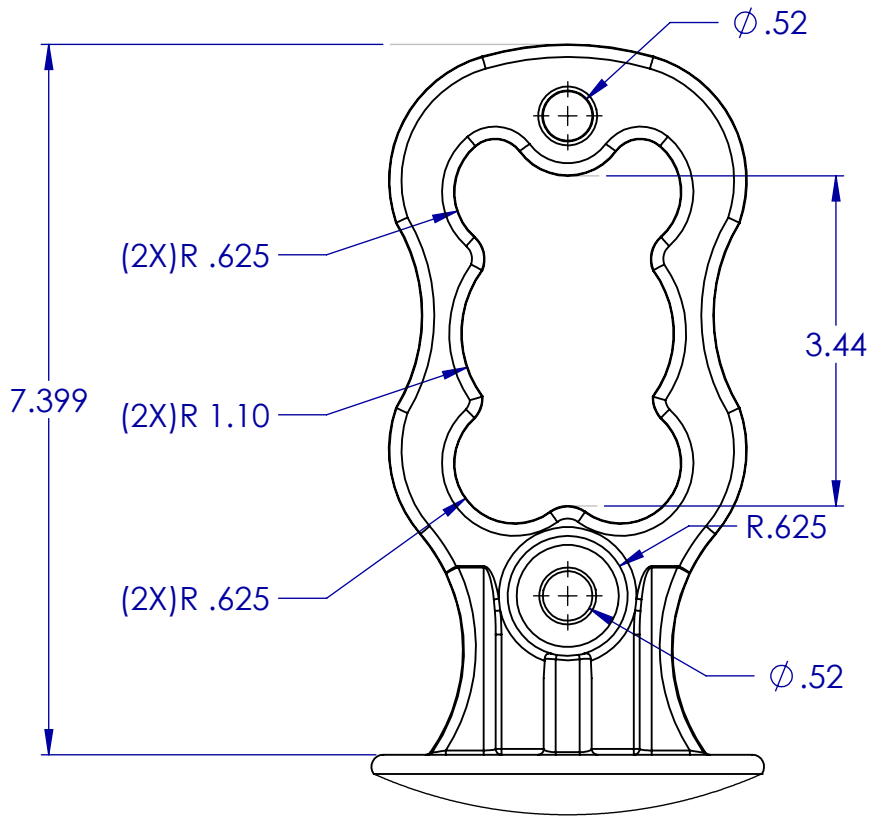
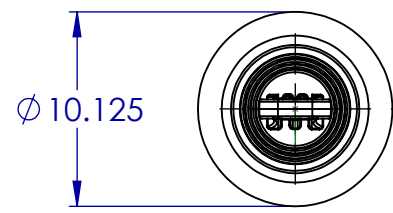


4

3

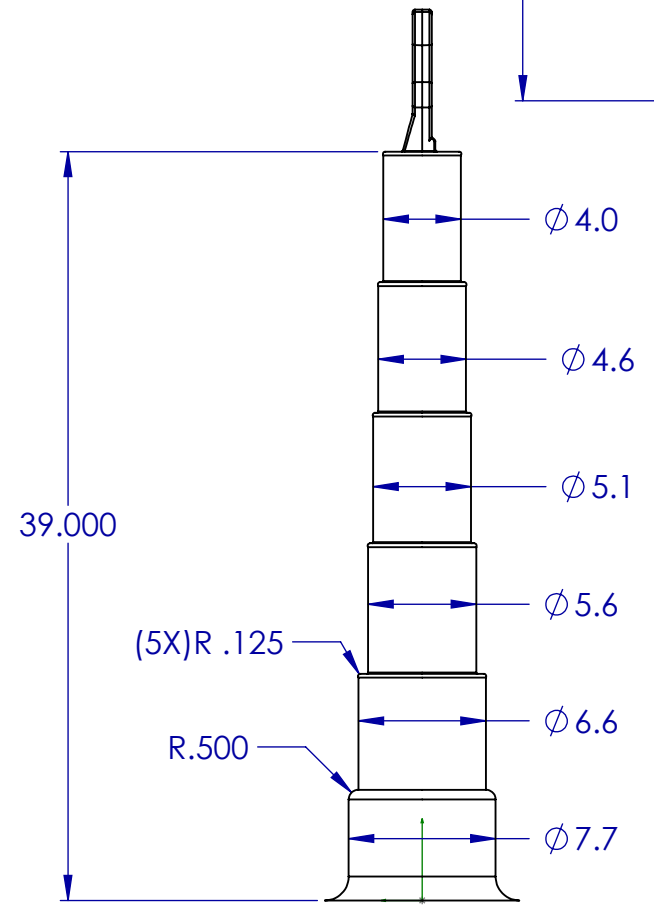
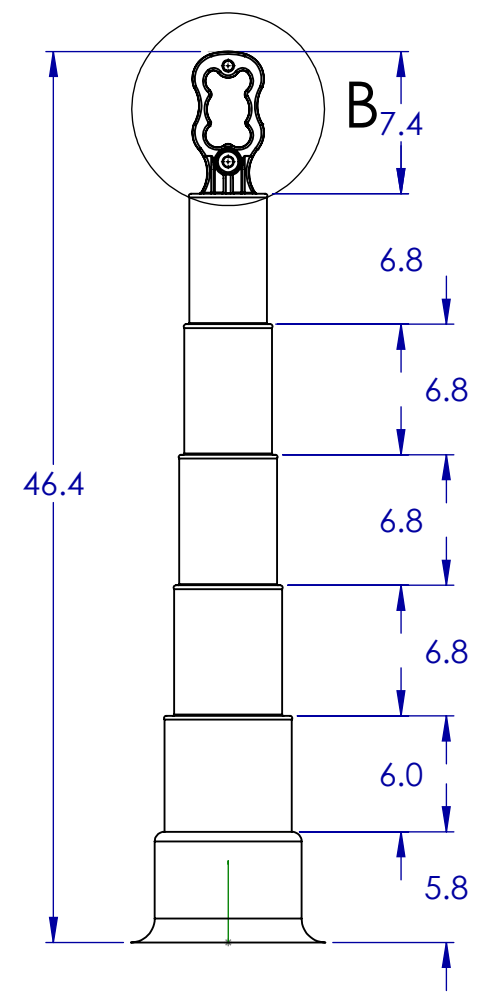
2

1



B

B



**DETAIL B  
 SCALE 1 : 2**

A

A

<b>CUSTOMER INFORMATION</b>		UNLESS OTHERWISE SPECIFIED:		NAME	DATE
 ADDRESS: 10706 Grand Ave, Franklin Park, IL 60131 PHONE: (847) 455-2800		DIMENSIONS ARE IN INCHES		DRAWN	SMB 11/28/16
		TOLERANCES: FRACTIONAL $\pm$ ANGULAR: MACH $\pm$ BEND $\pm$ TWO PLACE DECIMAL $\pm$ THREE PLACE DECIMAL $\pm$		CHECKED	
		INTERPRET GEOMETRIC TOLERANCING PER:		ENG APPR.	
		MATERIAL		MFG APPR.	
FINISH		DO NOT SCALE DRAWING		Q.A.	
		<b>PROPRIETARY AND CONFIDENTIAL</b> THE INFORMATION CONTAINED IN THIS DRAWING IS THE SOLE PROPERTY OF THE CORTINA COMPANIES. ANY REPRODUCTION IN PART OR AS A WHOLE WITHOUT THE WRITTEN PERMISSION OF THE CORTINA COMPANIES IS PROHIBITED.		 <b>C.S.P.G.</b> ROOFTOP DELINEATOR POST	
SIZE	DWG. NO.	REV			
<b>B</b>				SCALE: 1:10	WEIGHT: SHEET 1 OF 1

4

3

2

1