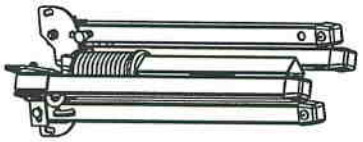
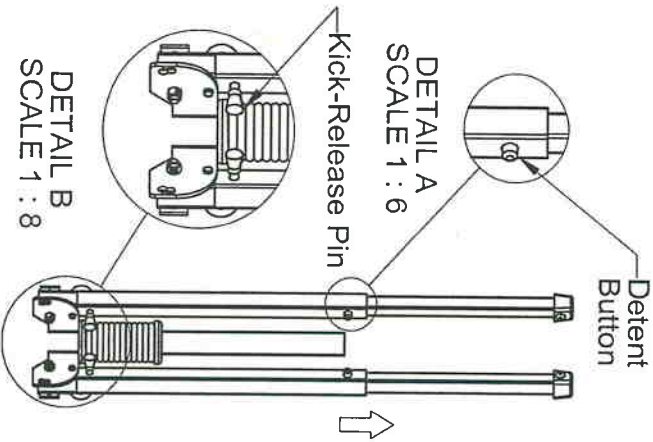


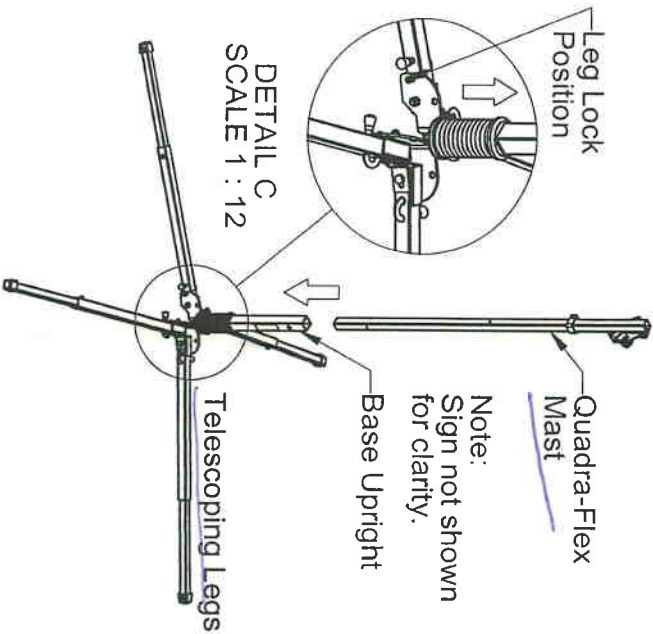
CORTINA QUADRA-FLEX VI INSTRUCTION SHEET



Compact Sign Stand



Folded Sign Stand
with Legs Deployed



Deployed
Sign Stand

- To Unfold:
1. Slide telescoping legs up until detent snaps into place. (See Detail A)
 2. Kick in kick-release pins and rest legs on ground. (See Detail B)
 3. Lift base upright until legs lock into position. (See Detail C)

BE SURE THE LEGS ARE LOCKED

- Quadra-Flex Mast
1. Slide mast into the base upright.
 2. Be sure the mast detent snaps into place; locking the mast into the base.

- To Fold:
1. Depress mast detent and remove mast from base.
 2. Tilt sign holder to relieve pressure on leg, kick/push-in kick-release and rotate leg until pin engages into top hole.
 3. Repeat for remaining legs.
2. Depress detent buttons on telescoping legs and slide downward.

IMPORTANT:
For maximum safety and stability, legs should be in normal position when unit is on flat terrain.

WARNING: For use on streets and highways, the user must comply with all laws and regulations and/or codes for temporary warning signs. Please refer to Manual on Uniform Traffic Control Devices and check with local enforcement agency for compliance.

SK-05046