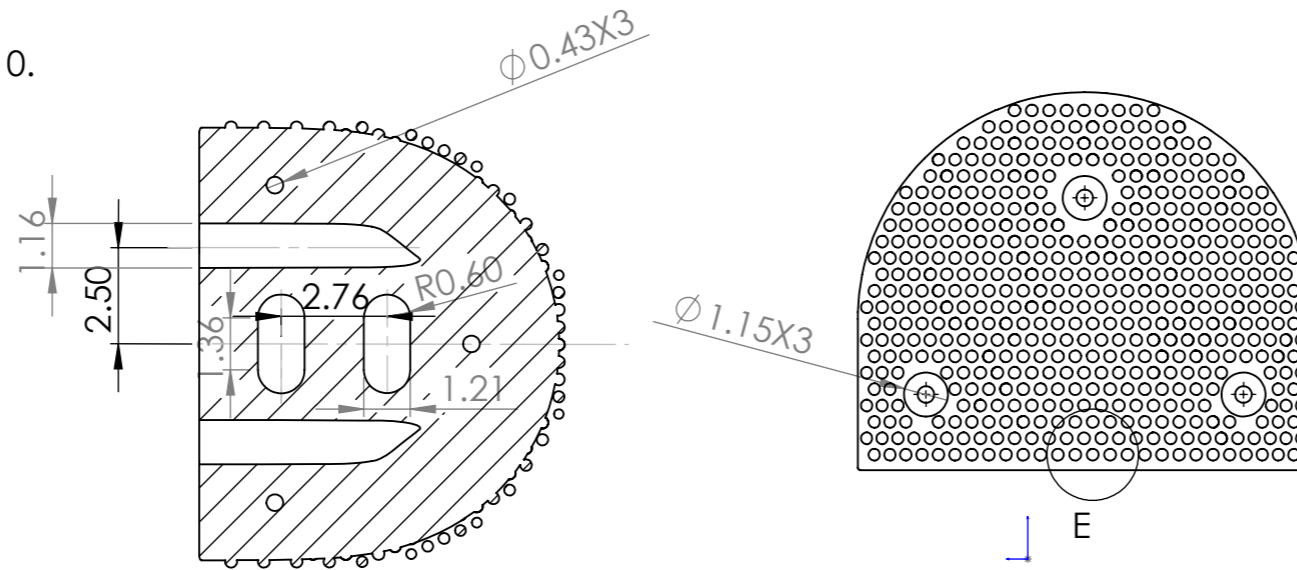
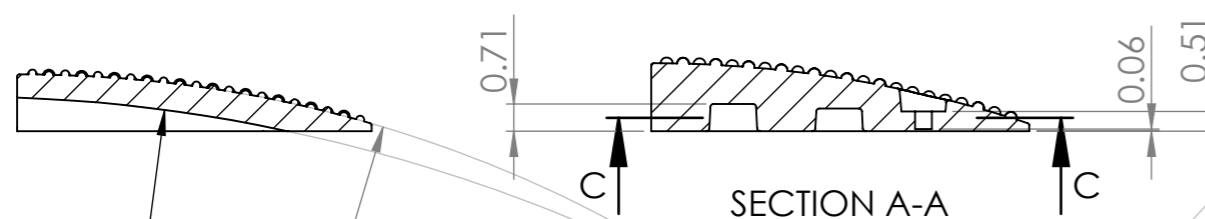


NOTES:

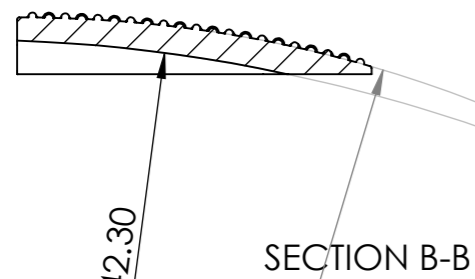
1. MATERIAL: RUBBER.
2. ALL ROUND CONRNS: R0.10.
3. ALL DRAFTS: 5 DEG.



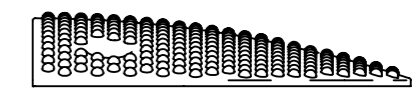
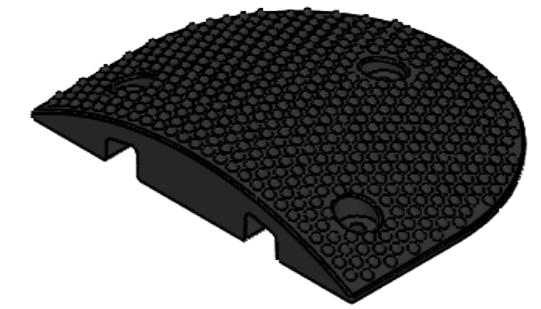
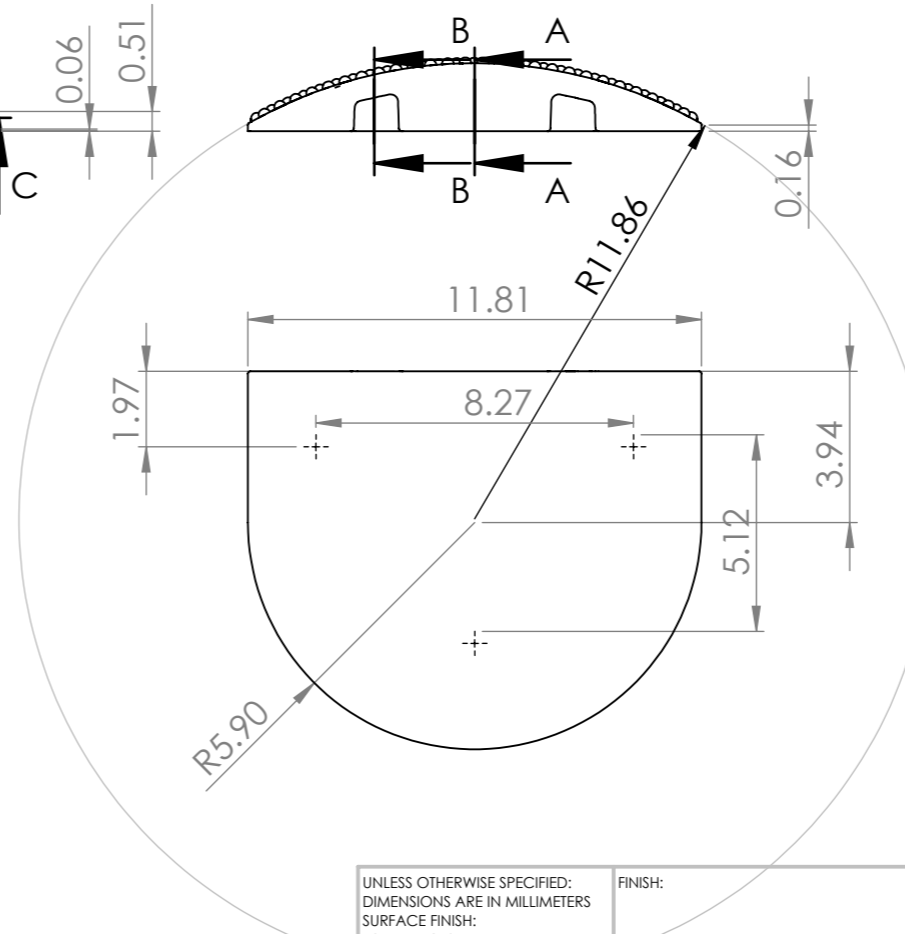
SECTION C-C



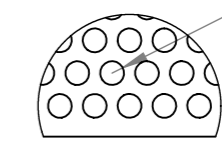
SECTION A-A



SECTION B-B



R0.16 SEMI SPHERIC  
DOTS COVER ALL FACE



DETAIL E  
SCALE 2 : 5



UNLESS OTHERWISE SPECIFIED: DIMENSIONS ARE IN MILLIMETERS				FINISH:		DEBURR AND BREAK SHARP EDGES		DO NOT SCALE DRAWING		REVISION	
SURFACE FINISH:								CORTINA SAFETY PRODUCTS INC.			
TOLERANCES:								TITLE: <b>SPEED BUMP</b>			
LINEAR:								DWG NO. RS1830A			
ANGULAR:								A3			
DRAWN		NAME		SIGNATURE		DATE		SCALE:1:5		SHEET 1 OF 1	
CHK'D											
APPV'D											
MFG											
Q.A						MATERIAL:					
						WEIGHT:					