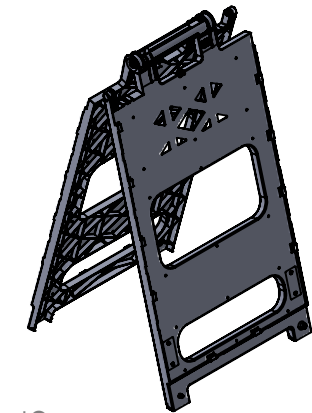


4

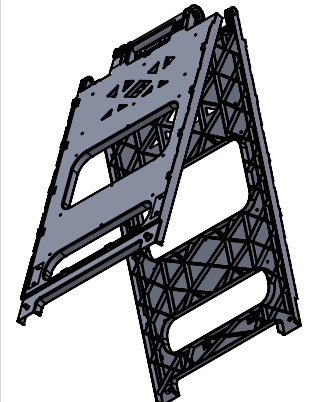
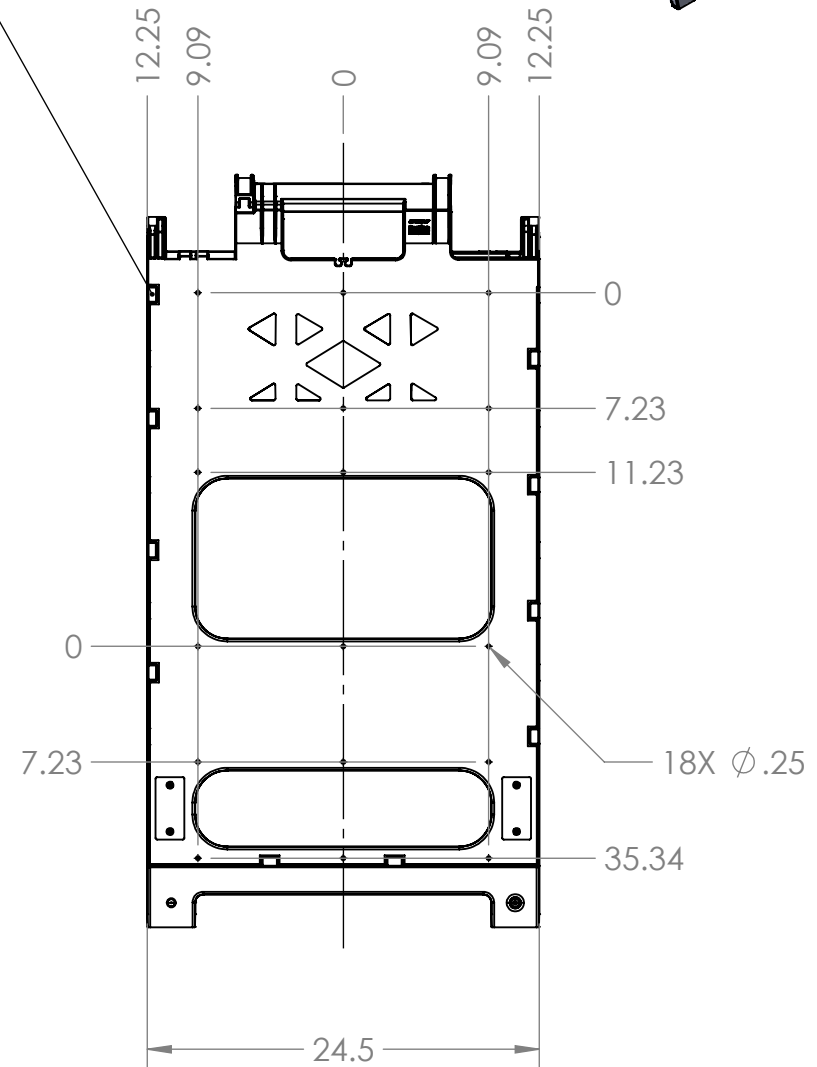
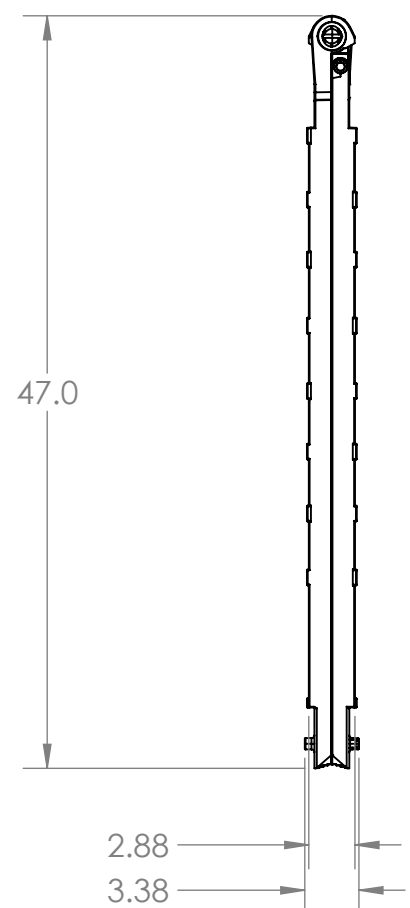
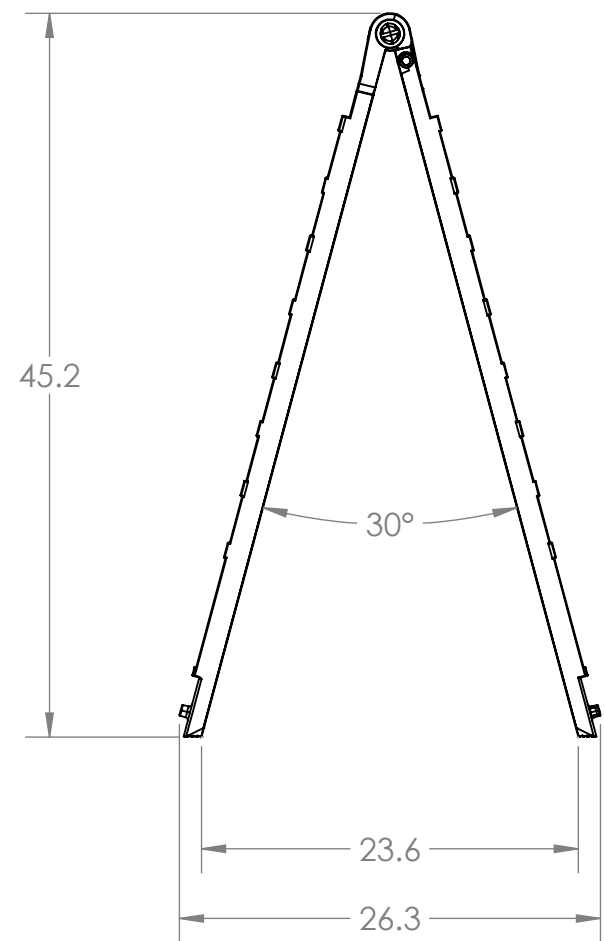
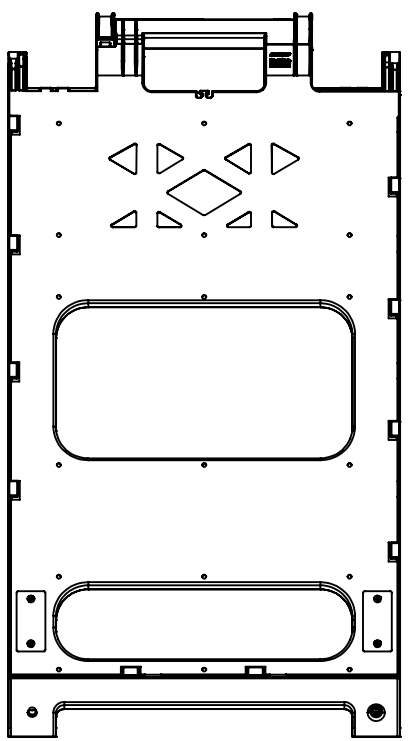
3

2

1



SHEETING HEIGHT: (QTY: 8) UP TO .157 IN.



**PROPRIETARY AND CONFIDENTIAL**  
 THE INFORMATION CONTAINED IN THIS DRAWING IS THE SOLE PROPERTY OF **CORTINA SAFETY PRODUCTS**. ANY REPRODUCTION IN PART OR AS A WHOLE WITHOUT THE WRITTEN PERMISSION OF **CORTINA SAFETY PRODUCTS** IS PROHIBITED.

13-01-010-05		UNLESS OTHERWISE SPECIFIED:	NAME	DATE	
		<b>DIMENSIONS ARE IN INCHES</b>	DRAWN	SPM	
		<b>TOLERANCES:</b>	CHECKED	GK	TOOL DESCRIPTION 1572TO
		FRACTIONAL ± 1/32	ENG APPR.	JMG	
		ANGULAR: MACH ± .001 BEND ± .5°	MFG APPR.	MJG	
		TWO PLACE DECIMAL ± .050	Q.A.	RA	
		THREE PLACE DECIMAL ± .005	CUSTOMER:		SIZE <b>B</b> PART NAME PLASTX FF BARRICADE REV <b>A</b> PART NUMBER 13-01-010-05-X
		INTERPRET GEOMETRIC TOLERANCING PER: ASME Y14.5-2009	COMMENTS:	NO SHEETING.	
		SHRINK			SCALE: 1:12 WEIGHT: 12.79 LBS. SHEET 1 OF 1
		MATERIAL POLYPROPYLENE			
		FINISH			
		PART NUMBERS			
		DO NOT SCALE DRAWING			

4

3

2

1