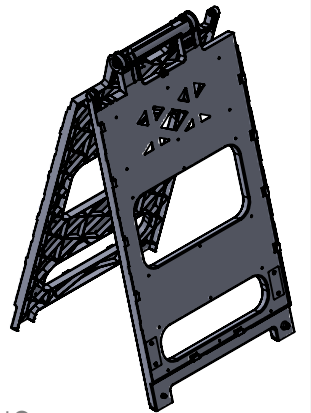


4

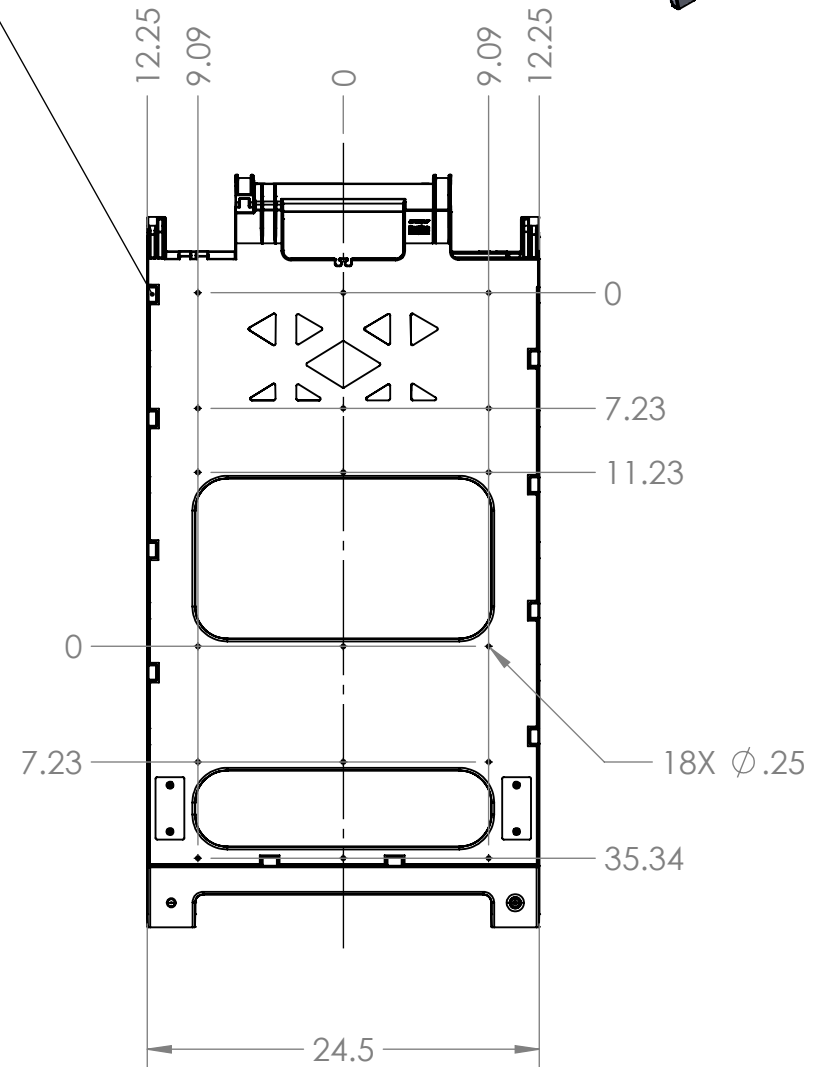
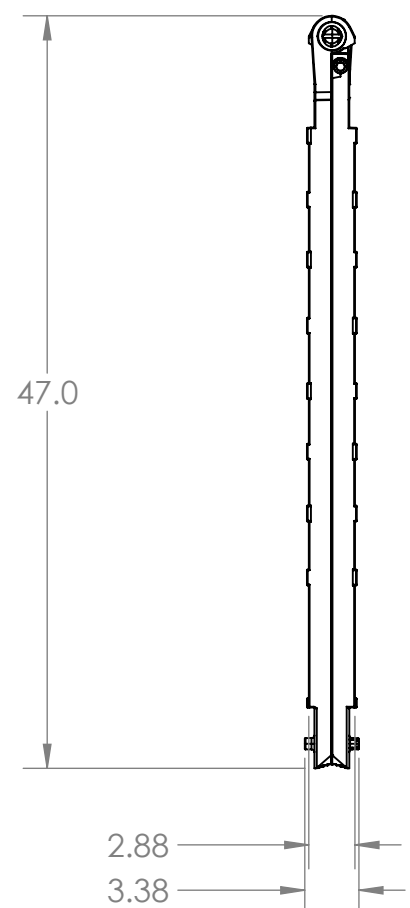
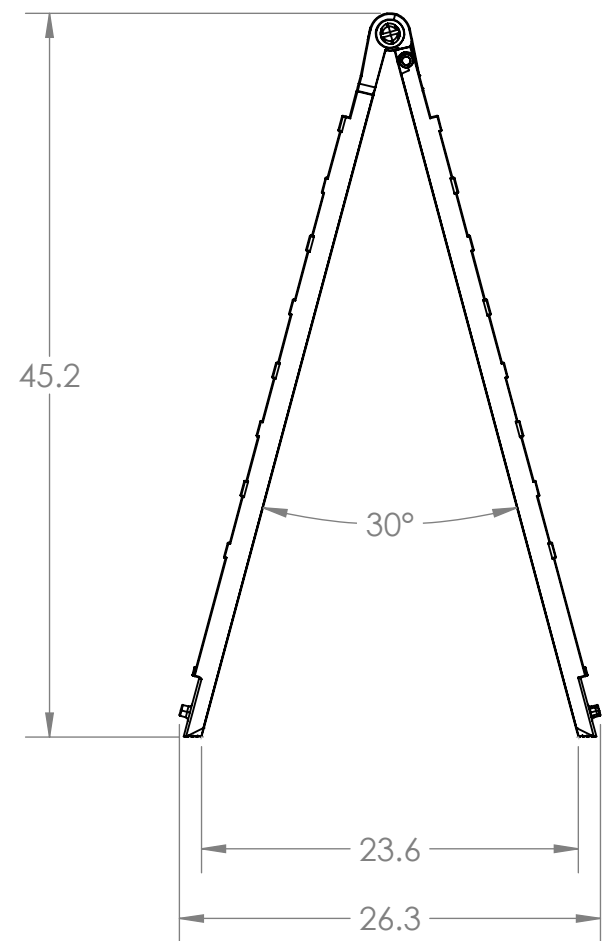
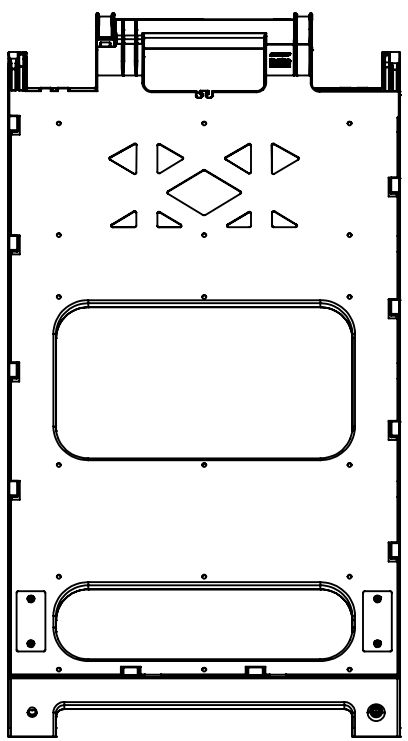
3

2

1



SHEETING HEIGHT: (QTY: 8) UP TO .157 IN.

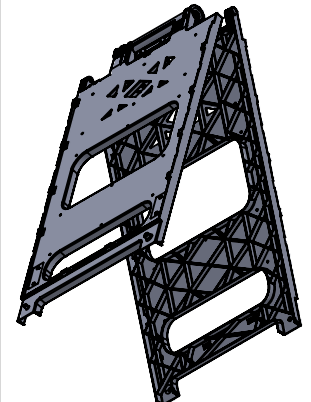


B

B

A

A



PROPRIETARY AND CONFIDENTIAL
 THE INFORMATION CONTAINED IN THIS DRAWING IS THE SOLE PROPERTY OF **CORTINA SAFETY PRODUCTS**. ANY REPRODUCTION IN PART OR AS A WHOLE WITHOUT THE WRITTEN PERMISSION OF **CORTINA SAFETY PRODUCTS** IS PROHIBITED.

13-01-010-06		UNLESS OTHERWISE SPECIFIED:	NAME	DATE
13-01-010-06-B		DIMENSIONS ARE IN INCHES	DRAWN	SPM 8-21-23
		TOLERANCES:	CHECKED	GK
		FRACTIONAL ± 1/32	ENG APPR.	JMG
		ANGULAR: MACH ± .001 BEND ± .5°	MFG APPR.	MJG
		TWO PLACE DECIMAL ± .050	Q.A.	RA
		THREE PLACE DECIMAL ± .005	CUSTOMER:	
		INTERPRET GEOMETRIC TOLERANCING PER: ASME Y14.5-2009	COMMENTS:	
		SHRINK		
		MATERIAL		
		35% CALCIUM POLYPROPYLENE		
		FINISH		
			NO SHEETING.	
		PART NUMBERS		
		DO NOT SCALE DRAWING		



TOOL DESCRIPTION		
1572TO		
SIZE	PART NAME	REV
B	PLASTX FF HD SIGN FRAME	A
	PART NUMBER	
	13-01-010-06-X	
SCALE: 1:12 WEIGHT: 18.77 LBS. SHEET 1 OF 1		

4

3

2

1